

Product	SNAP push L fabric mount
Opening	push
Material	PA66 GF15; NdFeB; Steel
Colour	black
Weight	26 g
Load capacity	60 kg
General notes	

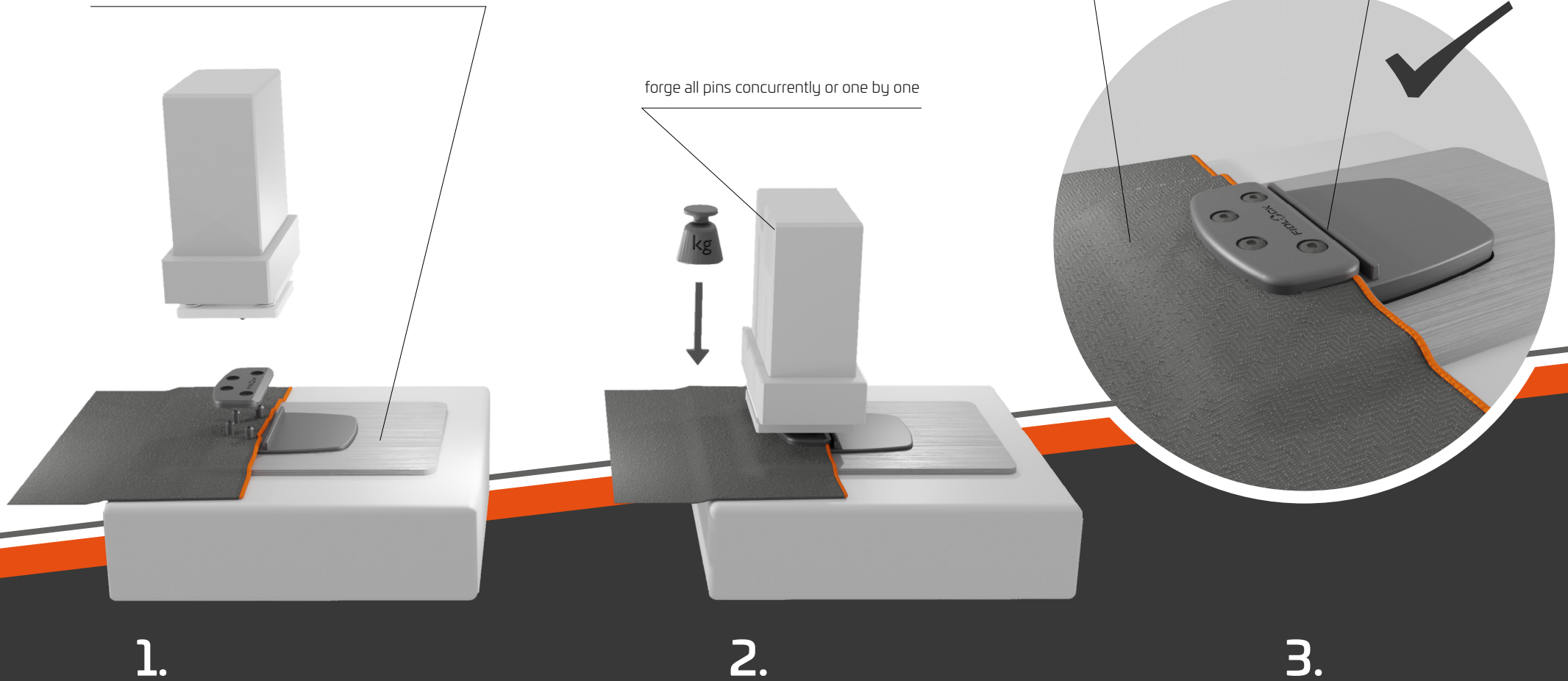
Article No	F5015-000022(BLK)
Scale	1:1
Date	25.03.2021
Author	HB

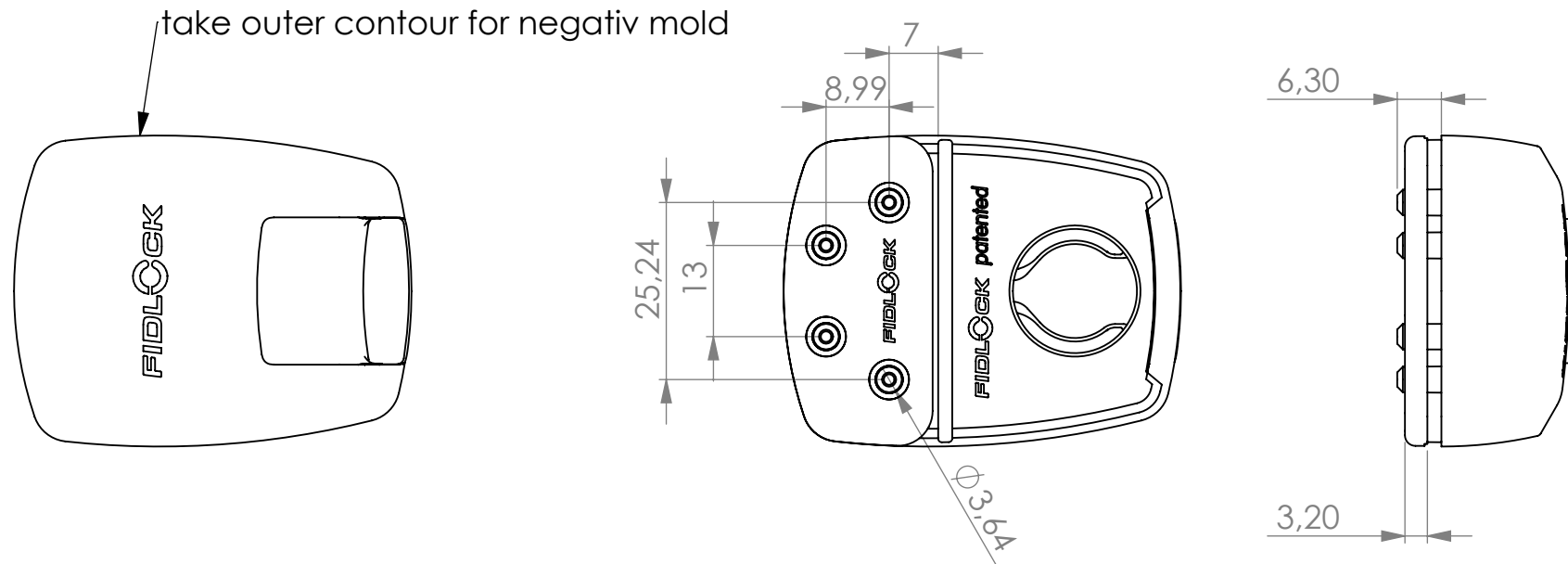
fabric thickness: 0.4mm-1.5mm
(assembly test for suitability required)

bumper for fabric edge

negativ mold (or frame) for cold forging needed

forge all pins concurrently or one by one





Product	SNAP push L fabric mount
Opening	push
Material	PA66 GF15; NdFeB; Steel
Colour	black
Weight	26 g
Load capacity	60 kg
General notes	

Article No	F5015-000022(BLK)
Scale	1:1
Date	25.03.2021
Author	LL