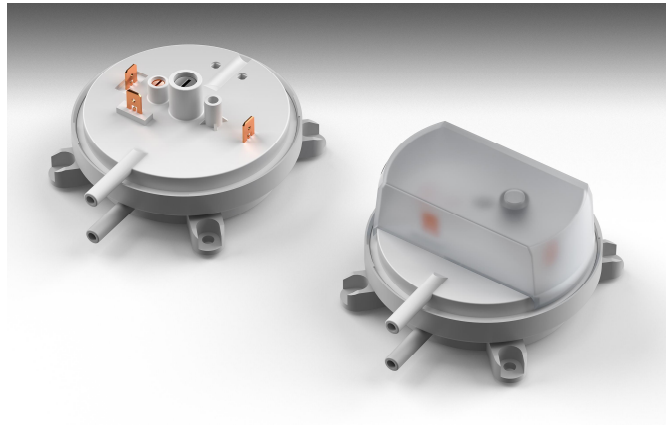


Differential pressure switch 911.81x



Applications

Factory-set differential pressure switch for monitoring overpressure, vacuum and differential pressure of air or other non-combustible, non-aggressive gases.

Possible fields of application include:

- Monitoring air filters and ventilators
- Overheating protection for fan heaters
- Monitoring flows in ventilation ducts
- Frost protection for heat exchangers

Versions

Customer specific adjusted values for switching pressure and switching differential.

Switching pressure

Factory setting between 20 ... 1000 Pa.

Switching differential

Factory setting between 10% ... 20% of the switching pressure, min. 10 Pa.

Accuracy of the switching pressure @ 20°C

±10 Pa of switching pressure, min. ±10 Pa.
Higher accuracy on request.

Maximum operating pressure

10 kPa for all pressure ranges.

Medium

Air, non-combustible and non-aggressive gases.

Temperature range

Operating temperature from -20°C to +85°C.
Storage temperature from -40°C to +85°C.

Diaphragm material

Silicone, tempered at 200°C, free of gas emissions.
Other materials available on request.

Pressure connections

2 plastic pipe connection pieces (P1 and P2), external diameter 6.0 mm:

P1 for connection to higher pressure (marked +)
P2 for connection to lower pressure (marked .)

Housing materials

Switch body and cover of plastic.

Weight

With cover 94 gr, without cover 82 gr.

Electrical rating

Standard version: max. 1.5 A (0.4 A) / 250 VAC
Low-voltage version: max. 0.1 A / 24 VDC

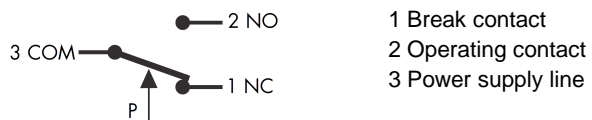
Mechanical working life

Over 10⁶ switching operations.

Electrical connections

AMP flat plug 6.3 mm x 0.8 mm in accordance with DIN 46244 or push-on screw terminals. Cable conduit with cable strain relief.

Arrangement of contacts



Protection category

IP 20 with cover, IP 00 without cover.

CE Conformity

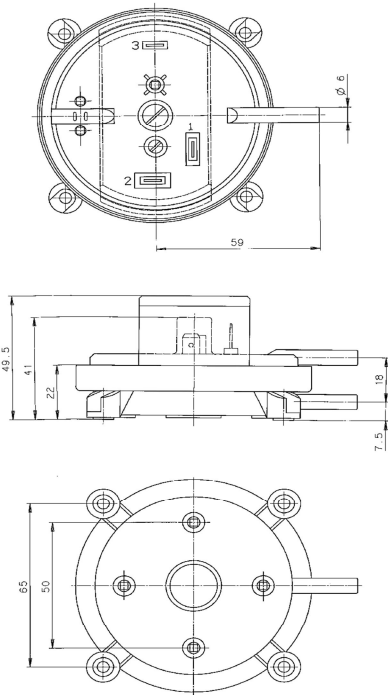
Each depending on technical version:
EU Low Voltage Directive; EU RoHS Directive,
EU Gas Appliances Directive.

Specifications according to EN1854

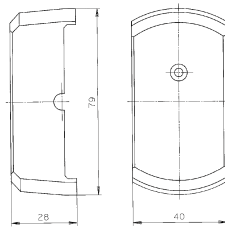
Class of control and regulation function: A
Deviation: $m \pm 15\%$, min. ± 10 Pa
Drift: $m \pm 15\%$

Differential pressure switch 911.81x

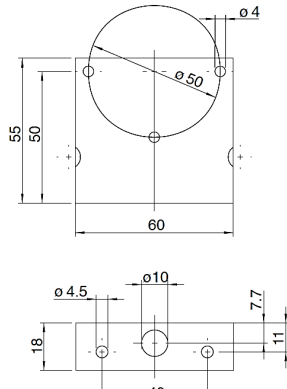
911.81x



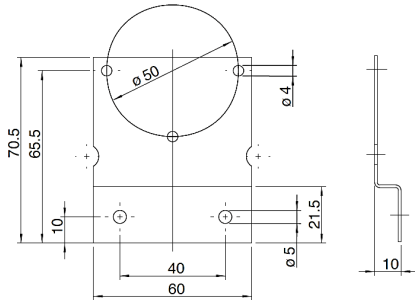
Cover 6344



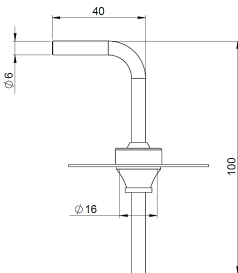
Mounting bracket 6401



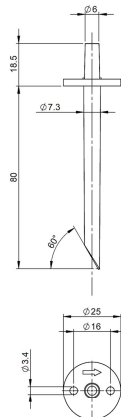
Mounting bracket 6402



Climaset® 6550/6556



Climaset® 6555/6557



Accessories

L-shaped mounting bracket	Artikel-Nr 6401
S-shaped mounting bracket	Artikel-Nr 6402
Climaset® consisting of 2m PVC piping and two plastic nipples	Artikel-Nr 6555
Climaset® consisting of 2m silicone piping and two plastic nipples	Artikel-Nr 6557
Climaset® consisting of 2m PVC piping and two angled metal pipes	Artikel-Nr 6550
Climaset® consisting of 2m silicone piping and two angled metal pipes	Artikel-Nr 6556
Set consisting of three push-on screw terminals	Artikel-Nr 6415
IP 20 cover for 911.81	Artikel-Nr 6344
0.8 mm nozzle for damping pressure surges	Artikel-Nr 6338
0.5 mm nozzle for damping pressure surges	Artikel-Nr 6334

