

Panel & Line Regulators / Leitungs- & Paneldruckminderer VSR-1EL & VSR-1EP Series

Product Features

- Line mounting pressure regulator
- Brass chrome plated body and bonnet for non-corrosive gases and mixtures up to grade 6.0
- Stainless steel 316L body and bonnet for corrosive gases
- 4 ports flexible configuration
- Stable outlet pressure
- Simple outlet pressure limitation by handwheel
- Tested for use with oxygen



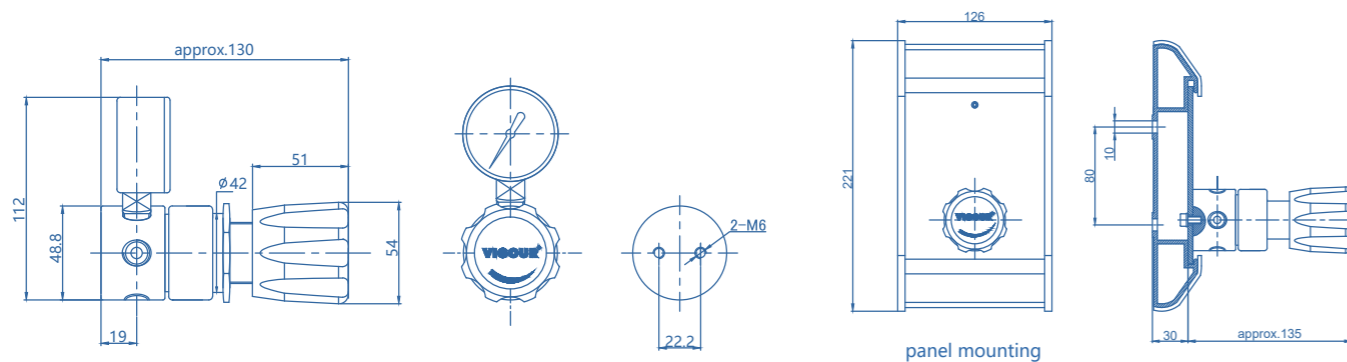
Typical Applications

- Component Testing
- Calibration Systems
- Laboratory Pressure Control
- High Pressure Sampling Systems
- Service & Test Equipment



Mounting panel
Model No.: VSR-T-BPB

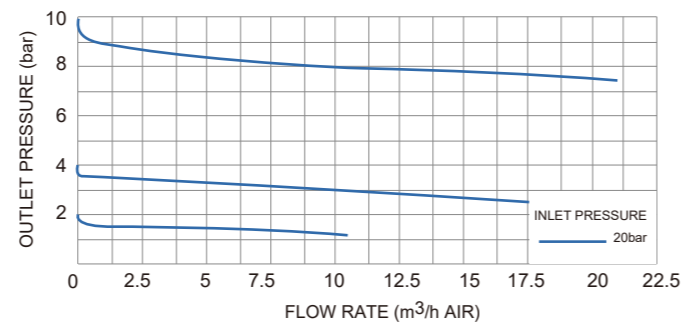
Dimensions (mm)



Technical Data

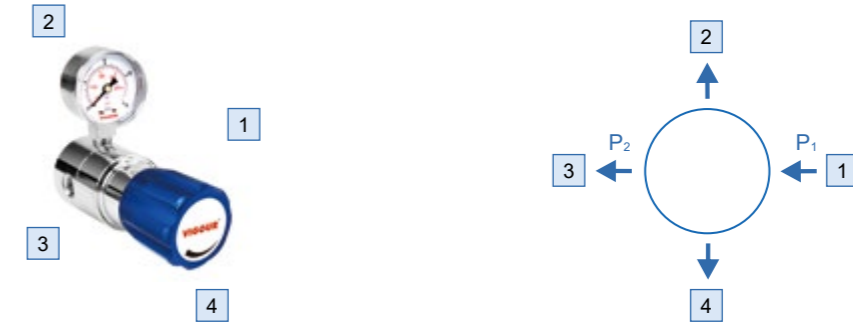
Type:	single-stage
Inlet pressure P ₁ :	max. 100 bar
Outlet pressure P ₂ :	2/4/10/20 bar
Materials	
Body regulator	see ordering info
Valve seat:	Teflon® (PCTFE)
Diaphragm:	Hastelloy® C276
Filter:	SS 316L
Inlets and Outlets:	1/4" NPT(F)
Temperature range:	-30°C to +74°C
Leak rate (to atmosphere)	1x10 ⁻⁸ mbar l/s He
(via seat)	1x10 ⁻⁶ mbar l/s He
Flow capacity:	C _v =0.18
Weight:	1.04 kg

Flow Chart



Panel & Line Regulators / Leitungs- & Paneldruckminderer VSR-1EL & VSR-1EP Series

Ordering Information



Inlets / Outlets

00: 1/4" NPT(F)	10: 1/8" Tube fitting	16: 8mm Tube fitting	B: Plug
01: 1/4" NPT(M)	11: 1/4" Tube fitting	65: 6mm Weld tube	
02: 3/8" NPT(F)	12: 3/8" Tube fitting	66: 8mm Weld tube	
03: 3/8" NPT(M)	15: 6mm Tube fitting	P: Gauge(Psig/bar)	

* Other connection standard, consult factory.

Port Selection

VSR - 1EP S - 100 - 20 - 1 - 2 - 3 - 4 - N₂

Type

L: Line
P: Panel

Body Material

S: 316L
C: Chrome Plated Brass

Inlet Pressure P₁

40: 40 bar
100: 100 bar

Outlet Pressure P₂

2: to 2 bar
4: to 4 bar
10: to 10 bar
20: to 20 bar

Type of Gas

Please specify type of gas

Ordering Example

Example: VSR - 1EL C - 100 - 20 - 00 - P - 00 - B - O₂

1 - 2 - 3 - 4

