

Line Regulators / Leitungsdruckminderer

VSR-3PH Series

Product Features

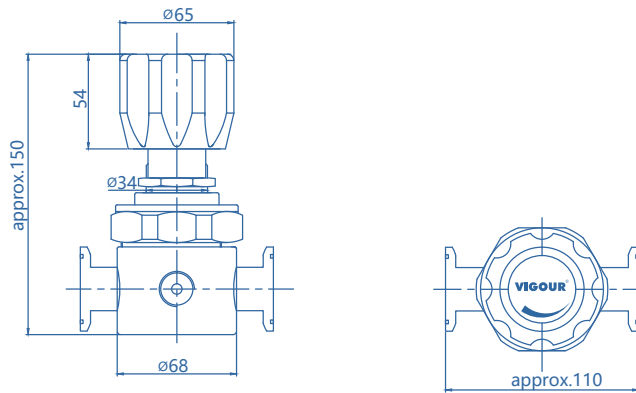
- Line pressure regulator
- Stainless steel 316L body
- 2 or 3 ports configuration
- Stable outlet pressure

Typical Applications

- Pharmaceutical Industry
- Food and Beverage Industry



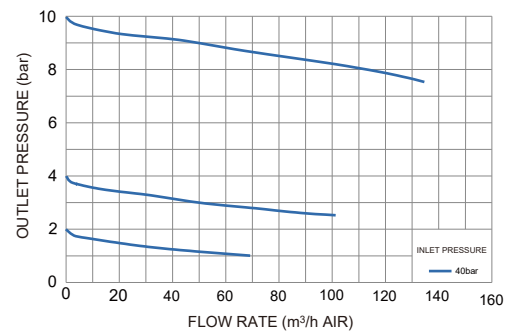
Schematic Drawing



Technical Data

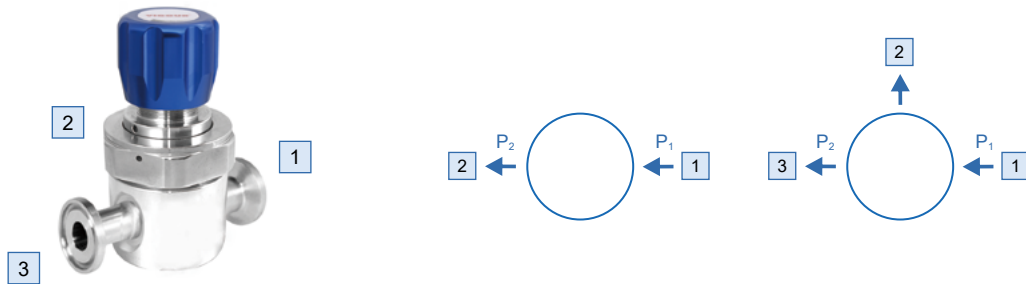
Type:	single-stage
Inlet pressure P ₁ :	max. 40 bar
Outlet pressure P ₂ :	2/4/10 bar
Materials	
Body regulator	see ordering info
Valve seat:	PCTFE
Diaphragm:	Hastelloy® C276
O-ring: (option)	Viton® (FKM) Kalrez® (FFKM)
Filter:	SS 316L
Inlets and Outlets:	see ordering info
Temperature range:	-30°C to +74°C
Leak rate (to atmosphere) (via seat)	1x10 ⁻⁸ mbar l/s He 1x10 ⁻⁶ mbar l/s He
Flow capacity:	Cv=1.7
Weight:	2.8 kg

Flow Chart



Leitungsdruckminderer / Line Regulators VSR-3PH Series

Ordering Information



Inlets / Outlets

S16: 1"Sanitary

S32: 2"Sanitary

S40: 2-1/2"Sanitary

TW8: 1/2"Weld tube

TW12: 3/4"Weld tube

TW12M: 12mm Weld tube

TW20M: 20mm Weld tube

FV4: 1/4" VFS female

P: Gauge(Psig/bar)

* Other connection standard, consult factory.

Port Selection

VSR - 3PH S - 40 - 10 - 1 - 2 - 3 - N2

Body Material

S: 316L

Inlet Pressure P₁

40: 40 bar

Outlet Pressure P₂

2: to 2 bar

4: to 4 bar

10: to 10 bar

Type of Gas

Please specify type of gas

Ordering Example

Example: VSR - 3PH S - 40 - 4 - S16 - FV4 - S16 - N₂

