

# Line Regulators / Leitungsdruckminderer

## VSR-4PH Series

### Product Features

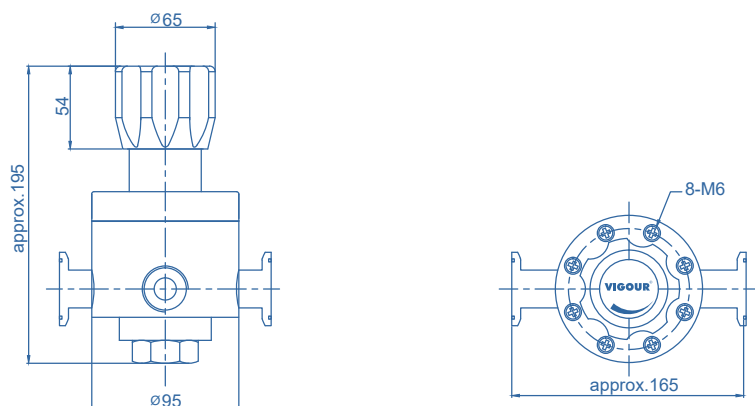
- Line pressure regulator
- Stainless steel 316L body
- 2 or 3 ports configuration
- Stable outlet pressure

### Typical Applications

- Pharmaceutical Industry
- Food and Beverage Industry



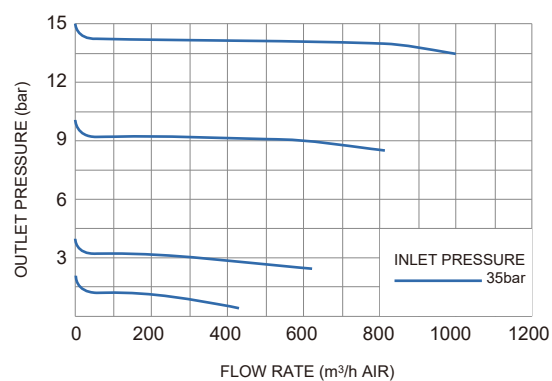
### Schematic Drawing



### Technical Data

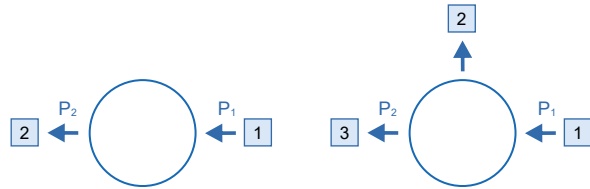
Type:	single-stage
Inlet pressure P <sub>1</sub> :	max. 35 bar
Outlet pressure P <sub>2</sub> :	2/4/10/20 bar
Materials	
Body regulator	see ordering info
Valve seat:	Buna-N
Diaphragm:	Neoprene+PTFE
Inlets and Outlets:	see ordering info
Temperature range:	-15°C to +74°C
Leak rate	Bubble-tight
Flow capacity:	C <sub>v</sub> =5.1
Weight:	4.20 kg

### Flow Chart



# Leitungsdruckminderer / Line Regulators VSR-4PH Series

## Ordering Information



### Inlets / Outlets

S16: 1"Sanitary

S32: 2"Sanitary

S40: 2-1/2"Sanitary

TW8: 1/2"Weld tube

TW12: 3/4"Weld tube

TW16: 1"Weld tube

TW24: 1-1/2"Weld tube

TW12M: 12mm Weld tube

TW20M: 20mm Weld tube

TW25M: 25mm Weld tube

TW30M: 30mm Weld tube

FV4: 1/4" VFS female

P: Gauge(Psig/bar)

\* Other connection standard, consult factory.

### Port Selection

VSR - 4PH S - 35 - 10 - 1 - 2 - 3 - N<sub>2</sub>

### Body Material

S: 316L

### Inlet Pressure P<sub>1</sub>

35: 35 bar

### Outlet Pressure P<sub>2</sub>

2: to 2 bar

4: to 4 bar

10: to 10 bar

20: to 20 bar

### Type of Gas

Please specify type of gas

## Ordering Example

Example: VSR - 4PH S - 35 - 10 - S16 - FV4 - S16 - N<sub>2</sub>

1 - 2 - 3

