

Line Regulators / Leitungsdruckminderer

VSR-3F Series

Product Features

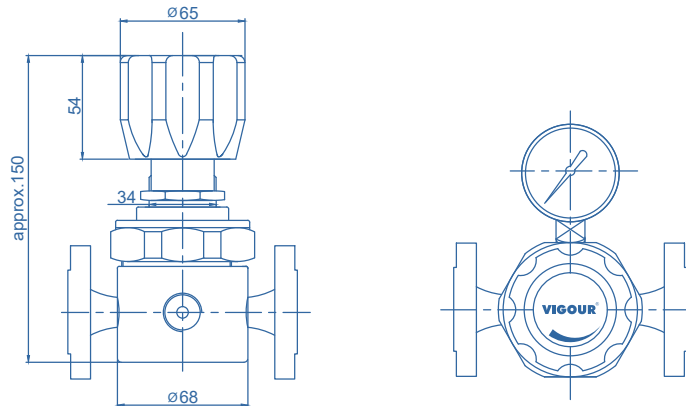
- Line pressure regulator
- Stainless steel 316L body
- 4 ports configuration
- Stable outlet pressure

Typical Applications

- Pharmaceutical Industry
- Food and Beverage Industry



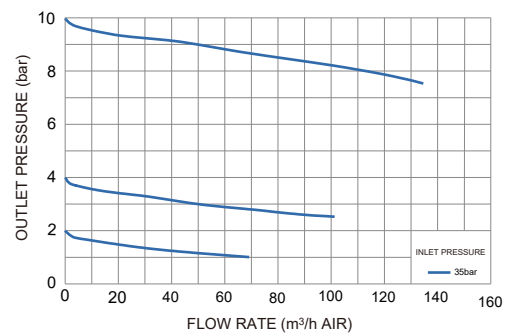
Schematic Drawing



Technical Data

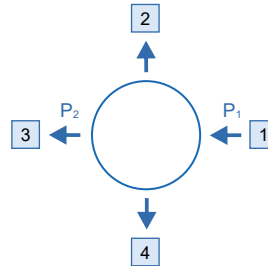
Type:	single-stage
Inlet pressure P ₁ :	max. 40 bar
Outlet pressure P ₂ :	2/4/10/20 V2/V10 bar
Materials	
Body regulator	see ordering info
Valve seat:	PCTFE
Diaphragm:	Hastelloy® C276
O-ring: (option)	Viton® (FKM) Kalrez® (FFKM)
Filter:	SS 316L
Inlets and Outlets:	see ordering info
Temperature range:	-30°C to +74°C
Leak rate (to atmosphere) (via seat)	1x10 ⁻⁸ mbar l/s He 1x10 ⁻⁶ mbar l/s He
Flow capacity:	C _v =1.7
Weight:	3.20 kg

Flow Chart



Leitungsdruckminderer / Line Regulators VSR-3F Series

Ordering Information



Inlets / Outlets

D10: DN10 Flange
D15: DN15 Flange
D20: DN20 Flange

D25: DN25 Flange
D30: DN30 Flange
F4: 1/4" NPT(F)

P: Gauge(Psig/bar)
B: plug

* Other connection standard, consult factory.

Port Selection

VSR - 3FS - 40 - 10 - 1 - 2 - 3 - 4 - N2

Body Material

S: 316L

Inlet Pressure P1

40: 40 bar

Outlet Pressure P2

2: to 2 bar

4: to 4 bar

10: to 10 bar

20: to 20 bar

V2: 30 in Hg VAC ~ 2 bar

V10: 30 in Hg VAC ~ 10 bar

Type of Gas

Please specify type of gas

Ordering Example

Example: VSR - 3FS - 40 - 10 - D10 - F4 - D10 - B - N2

1 - 2 - 3 - 4

