

## LED Driver with Average-Mode Constant Current Control



### General Description

The FP7183 is an average current mode control LED driver IC operating in a constant off-time mode. FP7183 does not produce a peak-to-average error, and therefore greatly improves accuracy, line and load regulation of the LED current without any need for loop compensation or high-side current sensing. The output LED current accuracy is  $\pm 2\%$ .

The FP7183 can be powered from an 8.0 - 100V supply. A PWM & linear dimming input is provided that accepts an external control TTL compatible signal. The output current can be programmed by an internal 250mV reference, or controlled externally through a 0.2 – 1.5V dimming input.

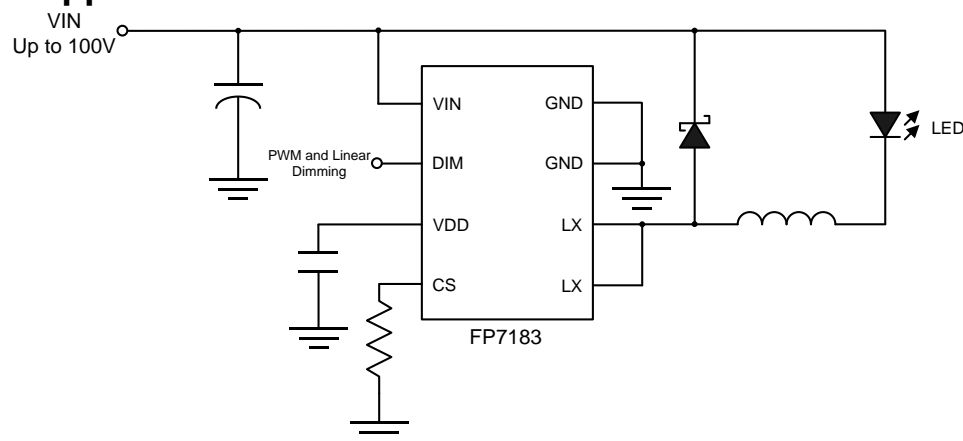
### Features

- Fast average current control
- Internal 8 to 100V linear regulator
- Linear and PWM dimming capability
- Output short circuit protection with skip mode
- Requires few external components for operation
- Internal 100V/3A N-MOSFET

### Applications

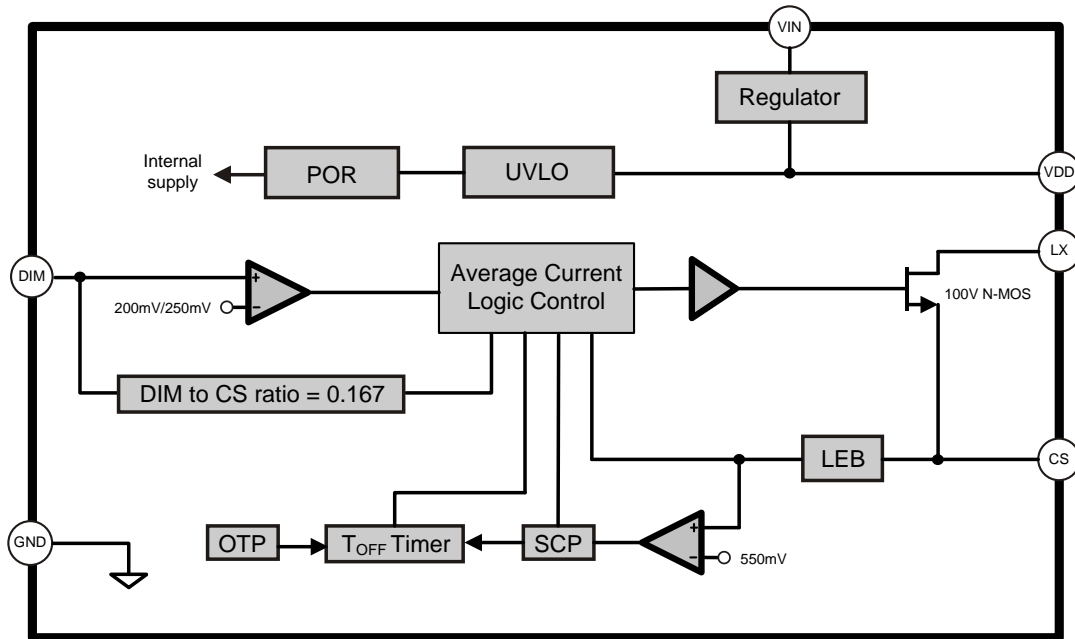
- DC/DC LED driver applications
- Back lighting of flat panel displays
- General purpose constant current source
- Signage and decorative LED lighting
- Chargers

### Typical Application Circuit



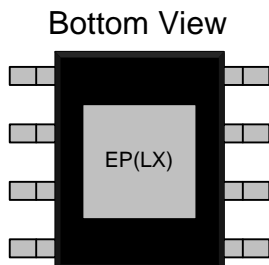
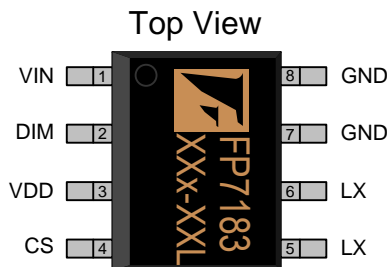
This datasheet contains new product information. Feeling Technology reserves the rights to modify the product specification without notice. No liability is assumed as a result of the use of this product. No rights under any patent accompany the sales of the product.

## Function Block Diagram



## Pin Descriptions

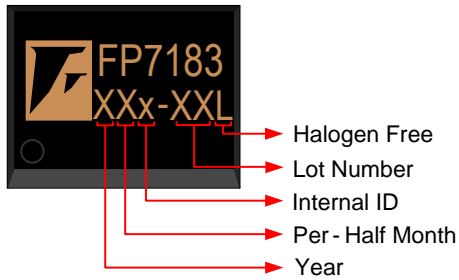
### SOP-8L(EP)



Name	No.	I / O	Description
VIN	1	I	This pin is the input of an 8 - 100V linear regulator.
DIM	2	I	This pin is the linear and PWM dimming input of the IC.
VDD	3	I	This is the power supply pin for all internal circuits.
CS	4	I	This pin is the current sense pin used to sense the FET current by means of an external sense resistor.
LX	5	O	Power switch
LX	6	O	Power switch
GND	7	P	Ground return for all internal circuitry.
GND	8	P	Ground return for all internal circuitry.
EP	9	O	Exposed PAD. Must connect to LX.

This datasheet contains new product information. Feeling Technology reserves the rights to modify the product specification without notice. No liability is assumed as a result of the use of this product. No rights under any patent accompany the sales of the product.

## Marking Information



**Halogen Free:** Halogen free product indicator

**Lot Number:** Wafer lot number's last two digits

For Example → Lot : 123456 → XXx-56L

**Internal ID:** Internal Identification Code

**Per-Half Month:** Production period indicator in half month time unit

For Example : A → First Half Month of January  
B → Second Half Month of January  
C → First Half Month of February  
D → Second Half Month of February

**Year:** Production year's last digit

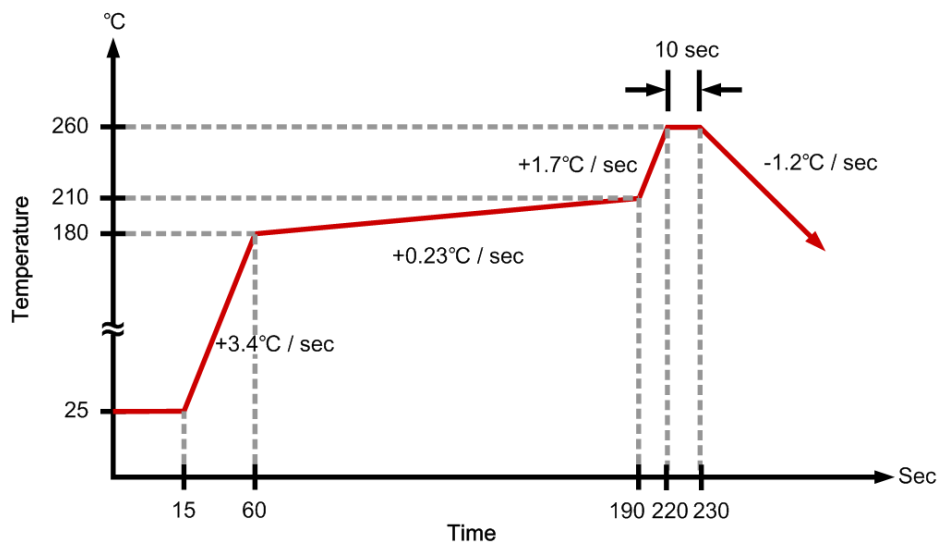
## Ordering Information

Part Number	Ambient Operating Temperature	Junction Operating Temperature	Package	MOQ	Description
FP7183XR-G1	-25°C ~ +85°C	-25°C ~ +125°C	SOP-8L(EP)	2500 EA	Tape & Reel

## Absolute Maximum Ratings

Parameter	Symbol	Conditions	Min.	Typ.	Max.	Unit
Power Supply Voltage	$V_{IN}$	$V_{IN}$ to GND			100	V
	$V_{DD}$	$V_{DD}$ to GND			8.5	V
CS, DIM			-0.3		$V_{DD}-0.3V$	V
Internal MOS $V_{DS}$ Breakdown Voltage	$V_{DS}$		100			V
Allowable Power Dissipation	$P_D$	SOP-8L(EP) $T_A \leq +25^\circ C$			1500	mW
Junction to Ambient Thermal Resistance	$\theta_{JA}$				60	$^\circ C / W$
Operating Temperature			-25		+85	$^\circ C$
Storage Temperature	$T_S$	SOP-8L(EP)	-40		+150	$^\circ C$
SOP-8L(EP) Lead Temperature		(soldering, 10 sec)			+260	$^\circ C$

## IR Re-flow Soldering Curve



This datasheet contains new product information. Feeling Technology reserves the rights to modify the product specification without notice. No liability is assumed as a result of the use of this product. No rights under any patent accompany the sales of the product.

## Recommended Operating Conditions

Parameter	Symbol	Conditions	Min.	Typ.	Max.	Unit
Supply Voltage	$V_{IN}$		8.5		100	V
Ambient Operating Temperature			-25		+85	°C
Junction Operating Temperature			-25		+125	°C

## DC Electrical Characteristics ( $V_{IN}=12V, T_A = 25^\circ C$ , unless otherwise noted)

Parameter	Symbol	Conditions	Min.	Typ.	Max.	Unit
<b>Internal Regulator</b>						
Internally regulated voltage	$V_{DD}$	$V_{IN} = 8V, I_{DD(ext)} = 0, 500pF$ at GATE; DIM = VDD	7.25	7.5	7.75	V
Line regulation of VDD	$\Delta V_{DD,line}$	$V_{IN} = 8 - 100V, I_{DD(ext)} = 0, 500pF$ at GATE; DIM = VDD	0	-	1.0	V
Load regulation of $V_{DD}$	$\Delta V_{DD,load}$	$I_{DD(ext)} = 0 - 0.6mA, 500pF$ at GATE; DIM = VDD	0		100	mV
$V_{DD}$ undervoltage lockout threshold	UVLO	$V_{DD}$ rising		6.3		V
$V_{DD}$ undervoltage lockout hysteresis	$\Delta UVLO$	$V_{DD}$ falling		500		mV
<b>PWM Dimming</b>						
Pin DIM input low voltage	$V_{EN(lo)}$	$V_{IN} = 8 - 100V$			0.1	V
Pin DIM input high voltage	$V_{EN(hi)}$	$V_{IN} = 8 - 100V$	1.6			V
<b>Average Current Sense Logic</b>						
Current sense reference voltage	$V_{CS}$		243	250	257	mV
DIM-to-CS voltage ratio	$A_{V(DIM)}$		0.164	0.167	0.17	
DIM-to-CS voltage offset	$A_{V(DIM)}$ (OFFSET)	Offset = $V_{CS} - A_{V(DIM)} \cdot V_{DIM}$ $V_{DIM}=1.2V$	0		10	mV
CS threshold temp regulation #					5	mV
DIM input voltage, shutdown	$V_{DIM(OFF)}$			200		mV
DIM input voltage, enable	$\Delta V_{DIM(OFF)}$			250		mV
Current sense blanking interval	$T_{BLANK}$		250		350	ns
Minimum on-time	$T_{ON(min)}$	$CS = V_{CS} + 30mV$			1000	ns
<b>Short Circuit Protection</b>						
Hiccup threshold voltage	$V_{CS}$		495	550	605	mV
Current limit delay CS – GATE #	$T_{DELAY}$	$CS = V_{CS} + 30mV$			150	ns
Short circuit hiccup time	$T_{HICCUP}$		450	550	650	us
Minimum on-time (short circuit)	$T_{ON(min)}$	$CS = V_{DD}$			600	ns

### Notes:

# Guaranteed by design

This datasheet contains new product information. Feeling Technology reserves the rights to modify the product specification without notice. No liability is assumed as a result of the use of this product. No rights under any patent accompany the sales of the product.

Parameter	Symbol	Conditions	Min.	Typ.	Max.	Unit
<b>T<sub>OFF</sub> Timer</b>						
Minimum off time	T <sub>OFF(MIM)</sub>			0.6		us
Maximum off time	T <sub>OFF(MAX)</sub>			50		us
Maximum on time	T <sub>ON(MAX)</sub>			60		us
<b>Thermal Protection</b>						
Thermal protection				130		°C
Thermal shutdown				150		°C
<b>Internal MOSFET</b>						
Drain-Source Breakdown Voltage	BV <sub>DSS</sub>	V <sub>GS</sub> =0V, I <sub>D</sub> =250uA	100			V
Drain-Source Leakage Current	I <sub>DSS</sub>	V <sub>DS</sub> =80V, V <sub>GS</sub> =0V, T <sub>J</sub> =25°C			1	uA
Static Drain-Source On-Resistance <sup>2</sup>	R <sub>DS(ON)</sub>	I <sub>D</sub> =1A			320	mΩ

Notes:

$$T_{OFF} = \frac{0.6 \times L \times I_{LED(AVG)}}{V_{LED(MAX)}}$$

## Function Description

### Input Voltage Regulator

The FP7183 can be powered directly from its VIN pin and can work from 8.5 - 100VDC at its VIN pin. When a voltage is applied at the VIN pin, the FP7183 maintains a constant 7.5V at the VDD pin. This voltage is used to power the IC and any external resistor dividers needed to control the IC. The VDD pin must be bypassed by a low ESR capacitor to provide a low impedance path for the high frequency current of the output GATE driver.

The FP7183 can also be operated by supplying a voltage at the VDD pin greater than the internally regulated voltage. This will turn off the internal linear regulator of the IC and the FP7183 will operate directly off the voltage supplied at the VDD pin. Please note that this external voltage at the VDD pin should not exceed 8.5V.

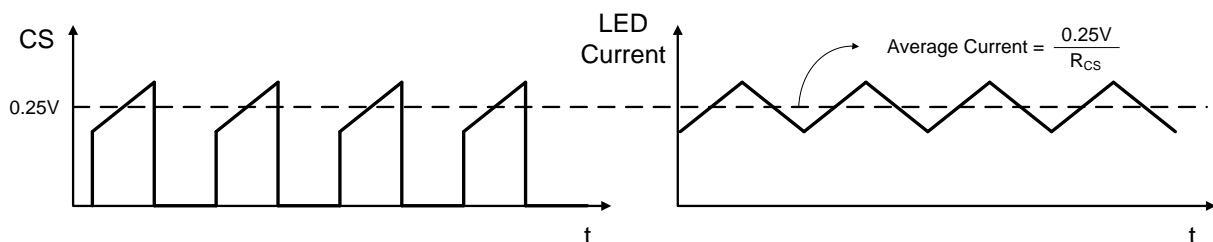
### Average Current Control

The LED current is detected using a sense resistor at the CS pin. The feedback operates in a fast open-loop mode. No compensation is required. When the voltage at the DIM input  $V_{DIM} \geq 1.5V$ , output current is programmed simply as:

$$I_{LED}(A) = \frac{0.25V}{R_{CS}(\Omega)}$$

Otherwise:

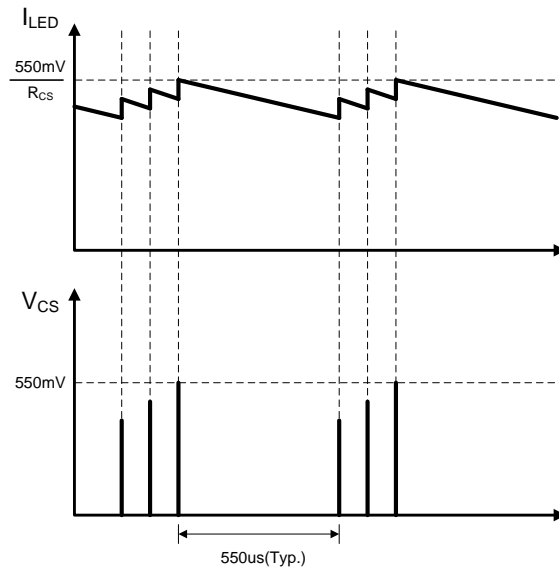
$$I_{LED}(A) = \frac{V_{DIM}(V) \times 0.167}{R_{CS}(\Omega)}$$



The above equations are only valid for continuous conduction of the output inductor. It is a good practice to design the inductor such that the switching ripple current in it is 25% of its average peak-to-peak, full load, DC current.

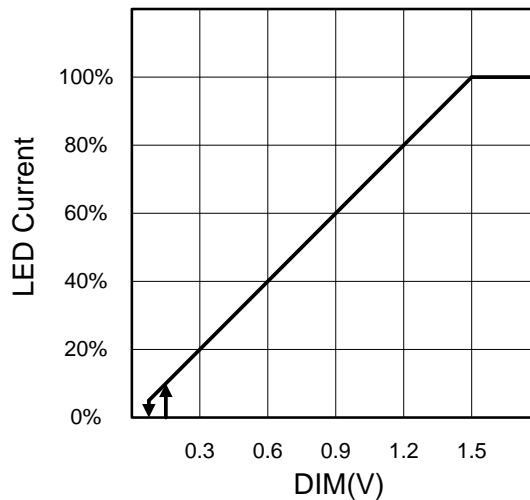
### Output Short Circuit Protection

The short circuit protection comparator trips when the voltage at CS exceeds 0.55V. When this occurs, the GATE off-time  $T_{HICCUP} = 550\mu s$  is generated to prevent stair-casing of the inductor current and potentially its saturation due to insufficient output voltage.



### Linear Dimming

When the voltage at DIM falls below 1.5V, the internal 250mV reference to the constant-current feedback becomes overridden by  $V_{DIM} \cdot 0.167$ . As long as the current in the inductor remains continuous, the LED current is given by the equation above. However, when  $V_{DIM}$  falls below 200mV, the GATE output becomes disabled. The GATE signal recovers, when  $V_{DIM}$  exceeds 250mV. This is required in some applications to be able to shut the LED lamp off with the same signal input that controls the brightness.

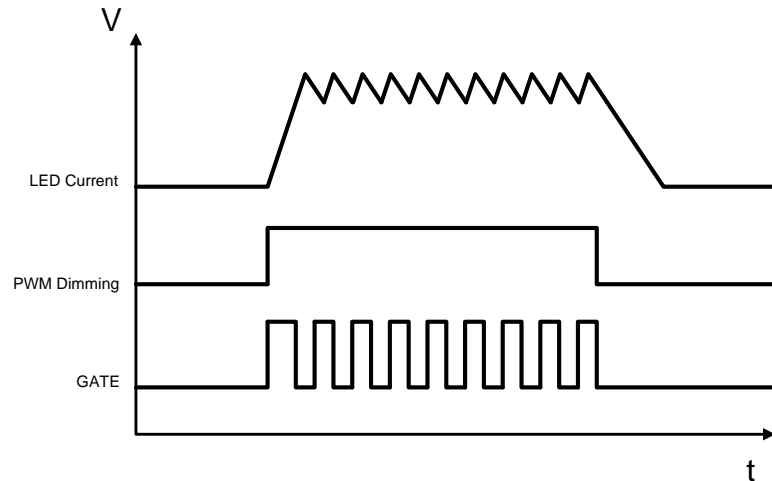


This datasheet contains new product information. Feeling Technology reserves the rights to modify the product specification without notice. No liability is assumed as a result of the use of this product. No rights under any patent accompany the sales of the product.



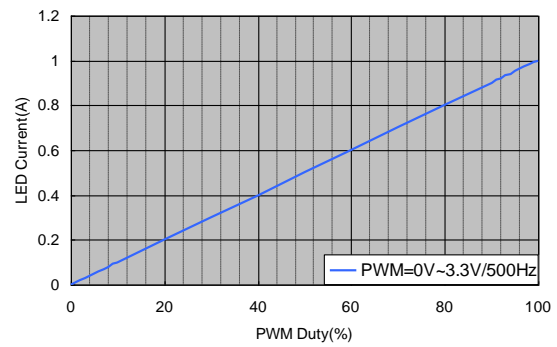
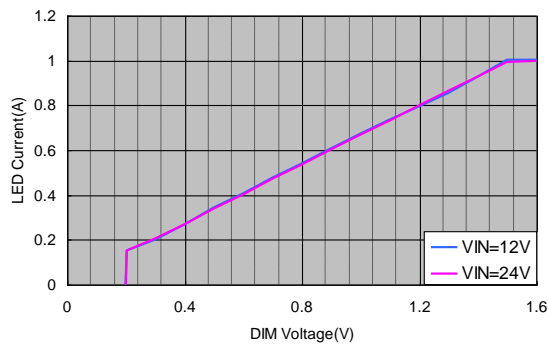
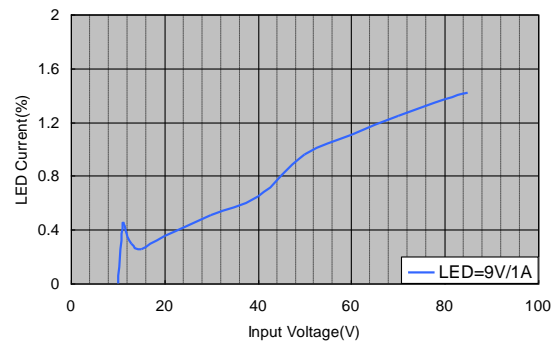
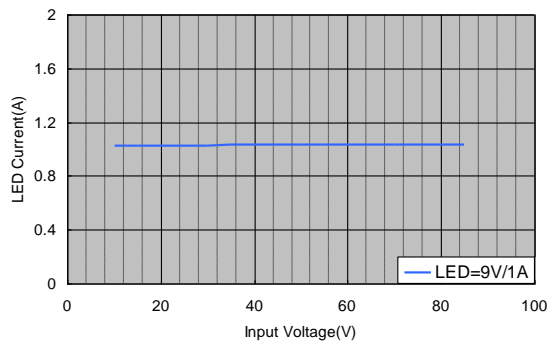
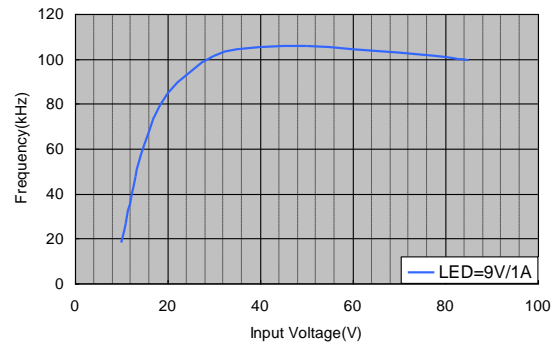
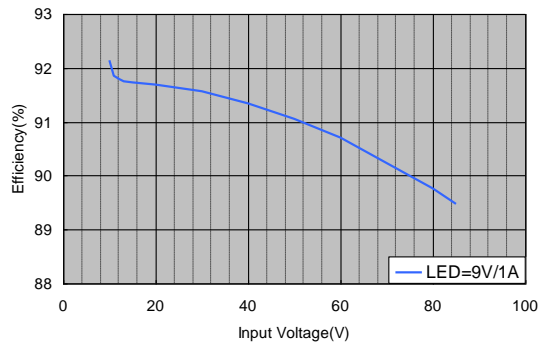
### PWM Dimming

Due to the fast open-loop response of the average-current control loop of the FP7183, its PWM dimming performance nearly matches that of the FP7171.



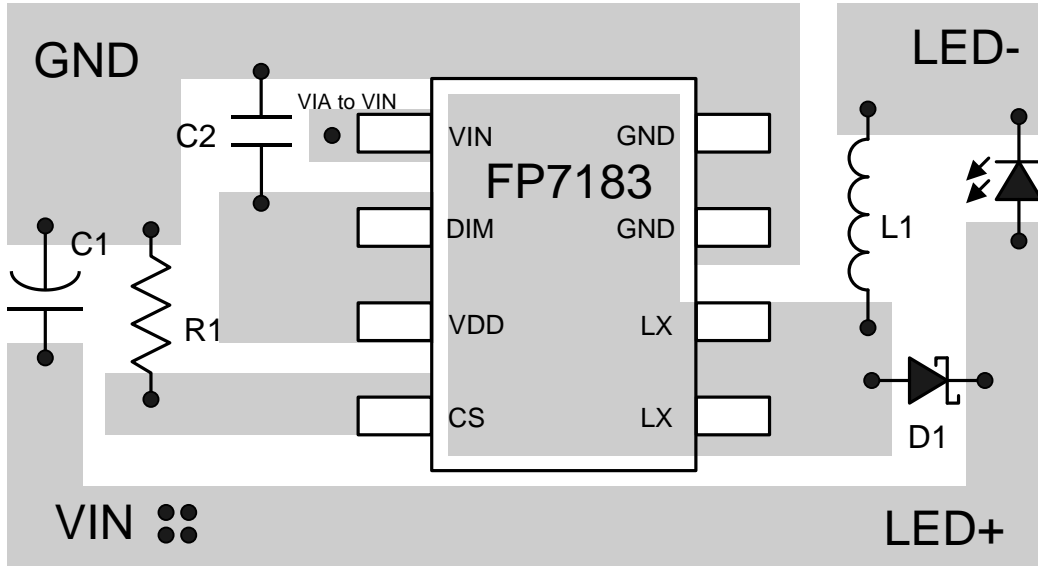
The rising and falling edges are limited by the current slew rate in the inductor. The first switching cycle is terminated upon reaching the 250mV ( $V_{DIM} \cdot 0.167$ ) level at CS. The circuit is further reaching its steady-state within 1 switching cycles regardless of the switching frequency.

※  $V_{IN}=12V$ , LED=9V,  $T_A = 25^{\circ}C$ , unless otherwise noted

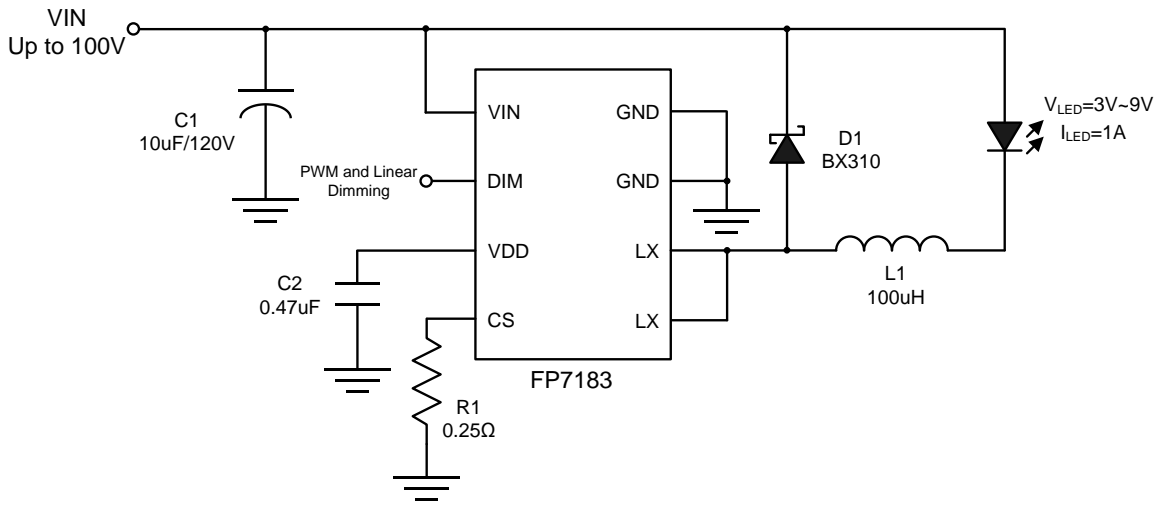


This datasheet contains new product information. Feeling Technology reserves the rights to modify the product specification without notice. No liability is assumed as a result of the use of this product. No rights under any patent accompany the sales of the product.

**Suggested Layout**



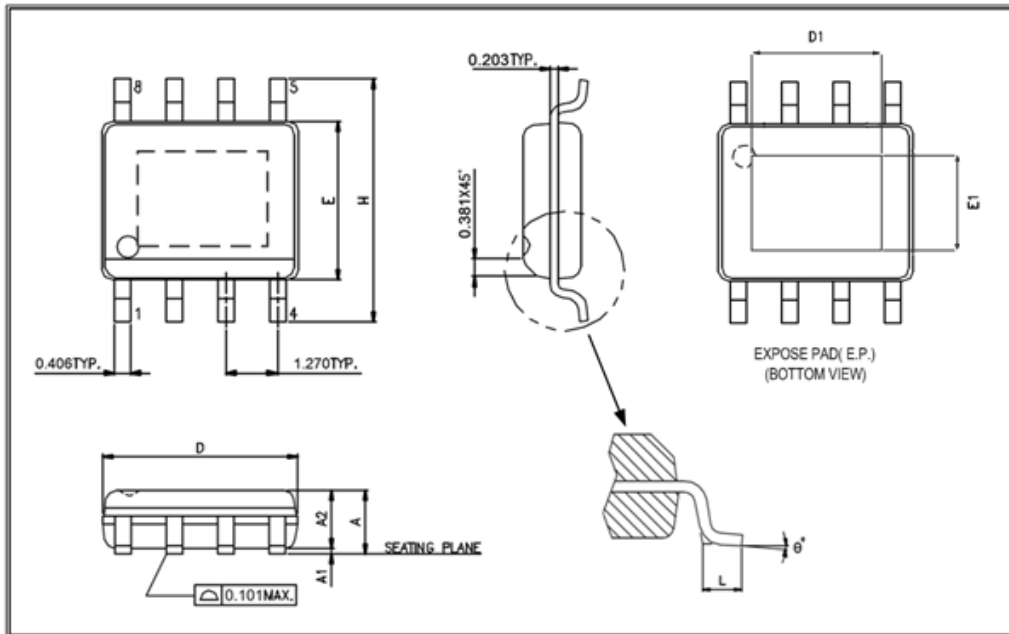
### Typical Application Circuit



This datasheet contains new product information. Feeling Technology reserves the rights to modify the product specification without notice. No liability is assumed as a result of the use of this product. No rights under any patent accompany the sales of the product.

## Package Outline

### SOP-8L (EP)


**UNIT: mm**

Symbols	Min. (mm)	Max. (mm)
A	1.30	1.70
A1	0	0.15
A2	1.25	1.55
D	4.70	5.10
E	3.80	4.00
H	5.80	6.20
L	0.40	1.27

#### Exposed PAD Dimensions:

Symbols	Min. (mm)	Max. (mm)
D1	2.60	3.45
E1	1.90	2.56

#### Note:

1. Package dimensions are in compliance with JEDEC outline: MS-012 AA.
2. Dimension "D" does not include molding flash, protrusions or gate burrs.
3. Dimension "E" does not include inter-lead flash or protrusions.

This datasheet contains new product information. Feeling Technology reserves the rights to modify the product specification without notice. No liability is assumed as a result of the use of this product. No rights under any patent accompany the sales of the product.