

MODEL: C2589

## External M.2 NGFF/NVMe SSD Enclosure

USB 3.1 Gen 2 Type-C To M.2 NGFF/NVMe SSD

### Getting Started

Thank you for purchasing ineo C2589 External M.2 NGFF/NVMe SSD Enclosure. This quick install guide provides step-by-step installation instructions and other important information regarding your ineo product. For the latest ineo product information and news, please visit our website at <http://www.ineo-usa.com>

### Package Contents

C2589	M.2 NGFF/NVMe SSD To USB 3.1 Gen 2
USB 3.1 Gen 2 Type-C Connector	Yes (Integrated)
Screw Kit	Screw Driver x 1, Screws x 4
Guarantee Card	Yes
User Manual	Yes

### System Requirements

#### Hardware

Pentium® II, 200 MHz equivalent or newer for IBM compatible PC  
PowerPC G4, 350 MHz or newer for PowerPC-based Apple Computer  
Core® or newer for Intel-based Apple Computer

#### Software

Windows 2000/Mac9.1/Linux for USB2.0  
Windows XP / VISTA / 7 / 8 / 8.1 / 10 & Mac OS X v.10.2+ for USB3.0  
Windows 8.1 / 10 & macOS 10.12+ For USB 3.1 Gen 2

**Note:** For highest performance and reliability, ineo recommends that you install the latest service pack (SP) and updates.

#### ■ Updating Your Operating System

##### Windows

Go to the Start menu and select Windows updates. For more information regarding updating your system, visit <http://windowsupdate.microsoft.com>.

##### Macintosh

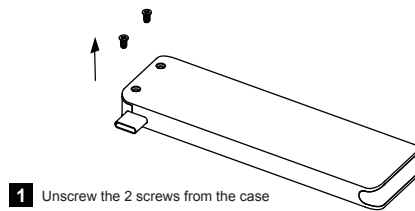
Go to the Apple menu and select Software Update. For more information regarding updating your system, visit <http://www.apple.com/macosx>.

#### ■ Handling Precautions

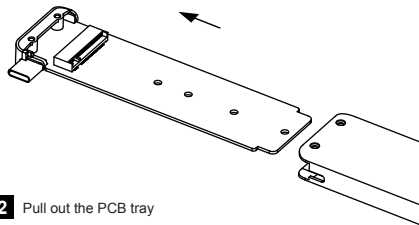
Ineo products are precision instruments and must be handled with care during unpacking and installation. Drives may be damaged by rough handling, shock, or vibration. Be aware of the following precautions when unpacking your ineo external storage kit:

- ▶ Do not unpack the product until you are ready to install it.
- ▶ Do not drop or jolt the product.
- ▶ Do not move the external storage when it is powered up.

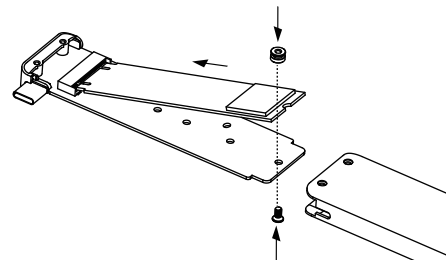
### Hard Disk Drive Installation



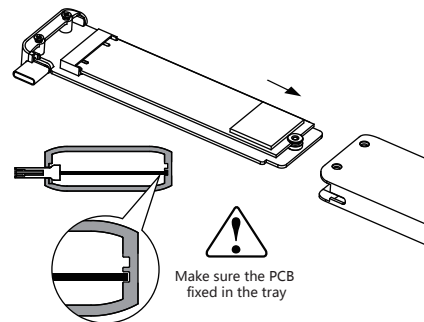
**1** Unscrew the 2 screws from the case



**2** Pull out the PCB tray



**3** Install the M.2 SSD, and lock with screw



**4** Push back the PCB tray in the aluminum case, and lock with screws

Part No.:EMC2589001