



压感智能笔规格书

Active Smart Pen Spec.

版本/Version: V1.0

时间/Date: 2022-5-20

北京科加触控技术有限公司/KOGA TOUCH CO., LTD

书星红外/电容压感智能笔广泛适用于各品牌中大尺寸红外/电容触摸屏。该款智能笔支持4096级压力感应，可实现原笔迹书写，同时具备PPT播放/翻页，空鼠、聚光灯、放大镜、红点等体感指示功能，广泛应用于教育、培训、会议等多人互动场景。

Skizze active IR/P-Cap smart pen are widely used in medium and large size infrared or capacitive touch screens of various brands. This smart pen supports 4096 levels of pressure sensitivity, which can help users express original handwriting on the touch screen. In addition, it also has PPT player, air mouse, spot light, magnifying glass, virtual laser and other indicating functions, which are widely used in education, training, conferences and other multi-person interactive scenarios.

版本/Version	时间/Date	编制人/Editor	变更记录/Change record
V1.0	2022-5-20	刘伊笑/Yixiao LIU	

压感智能笔规格书

Active Smart Pen Spec.

1. 型号对比/Comparison of Multiple Models
2. 成品尺寸/Product Dimensions
 - P2R-UTA
 - P2C-UTA
 - P2R-UWA
 - P2C-UWA
3. 按键说明/Button Description
 - 快捷键/Shortcut Button
 - 指示灯/LED
 - 体感指针键/Pointer Button
 - 上页键/Page Up
 - 下页键/Page Down
 - 橡皮键/Eraser
4. 基本参数/Basic Parameters
5. 环境参数/Environmental Requirements
6. 包装清单/Packing List
7. 出货信息/Shipping Information
8. 其他信息/Other Info.

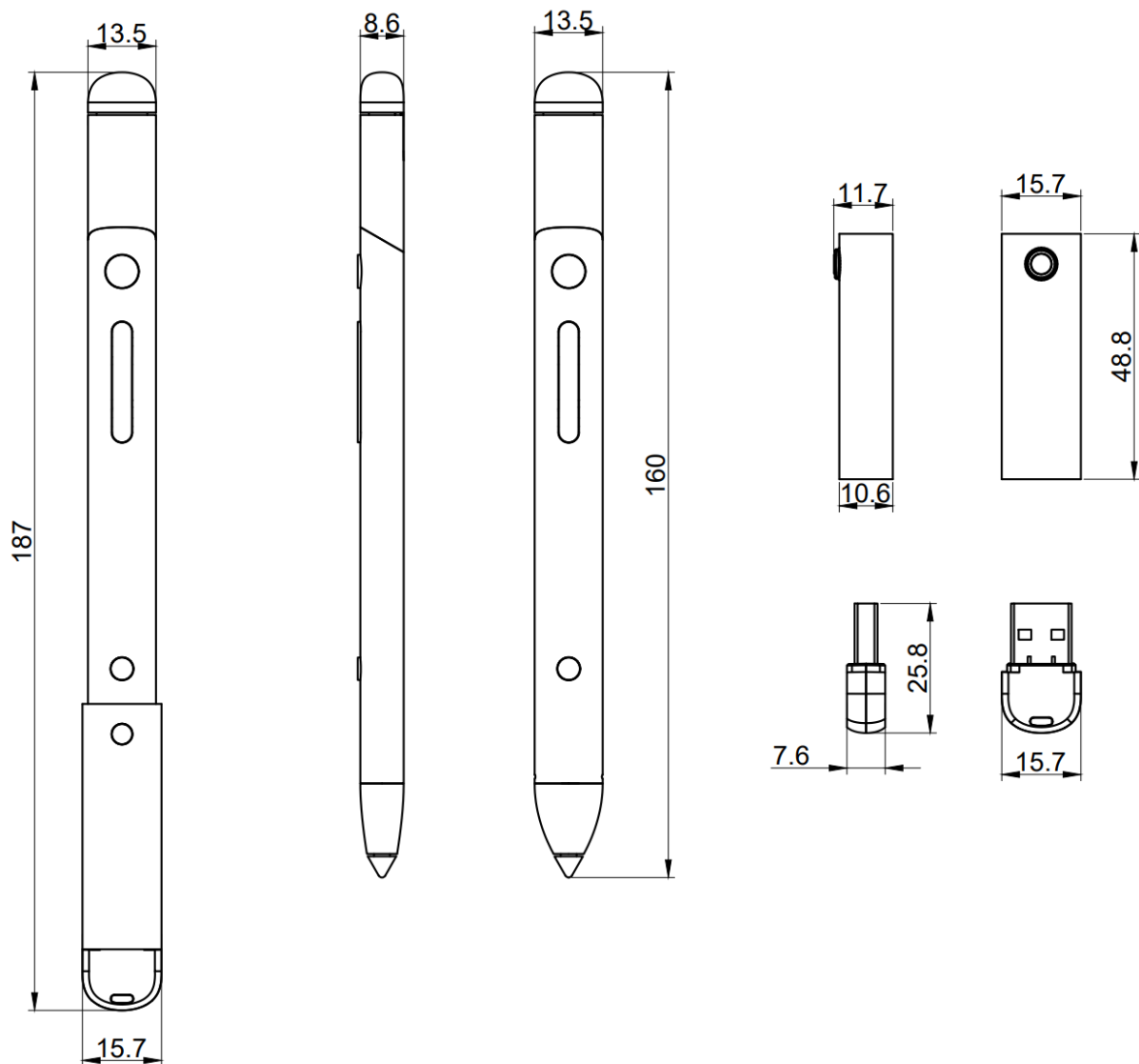
1. 型号对比/Comparison of Multiple Models

	P2R-UTA	P2C-UTA	P2R-UWA	P2C-UWA
支持红外触控设备	✓	✓	✓	✓
支持电容触控设备	✗	✓	✗	✓
Type-C充电	✓	✓	✓	✓
无线充电	✗	✗	✓	✓
4096级压力感应	✓	✓	✓	✓

	P2R-UTA	P2C-UTA	P2R-UWA	P2C-UWA
Infrared Touch Devices Supported	✓	✓	✓	✓
Capacitive Touch Devices Supported	✗	✓	✗	✓
Charging Mode: Type-C	✓	✓	✓	✓
Charging Mode: Wireless	✗	✗	✓	✓
4096 Levels of Pressure Sensitivity	✓	✓	✓	✓

2. 成品尺寸/Product Dimensions

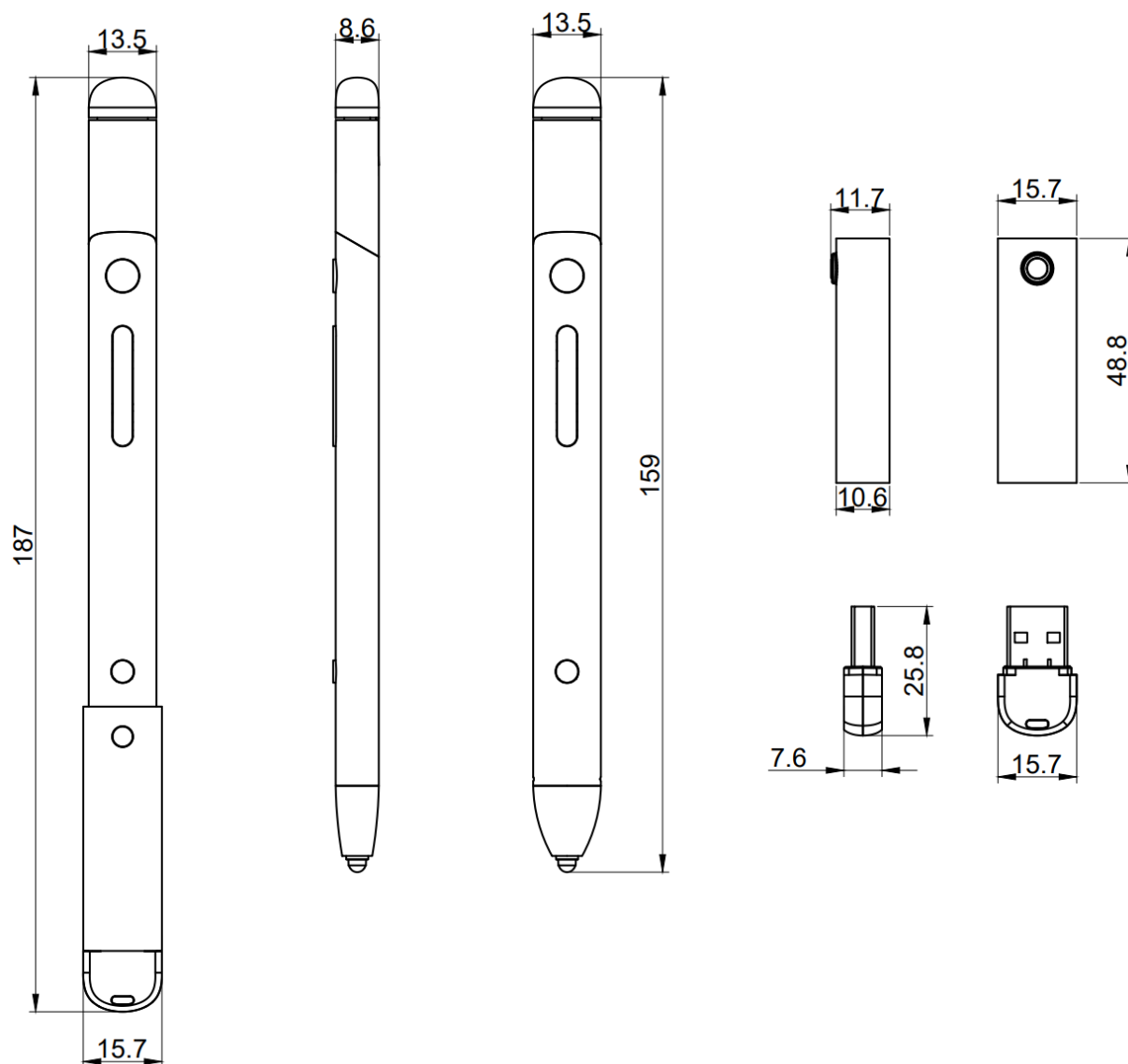
P2R-UTA



USB蓝牙接收器周围不能有障碍物遮挡，建议插在触控设备正前方USB端口使用。

There should be no obstacles around the USB Bluetooth receiver. It is recommended to plug it into the USB port in front of the touch device.

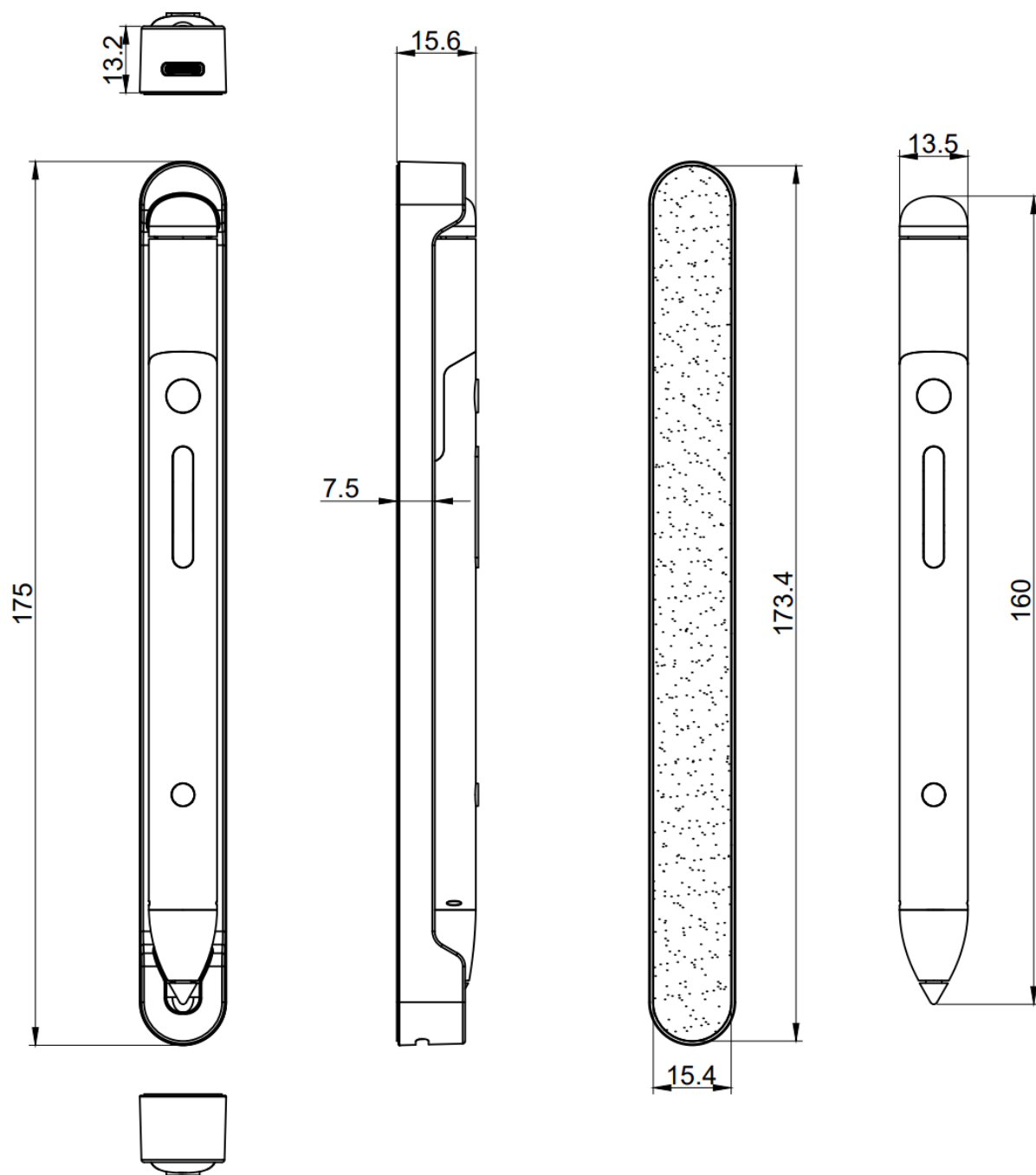
P2C-UTA



USB蓝牙接收器周围不能有障碍物遮挡，建议插在触控设备正前方USB端口使用。

There should be no obstacles around the USB Bluetooth receiver. It is recommended to plug it into the USB port in front of the touch device.

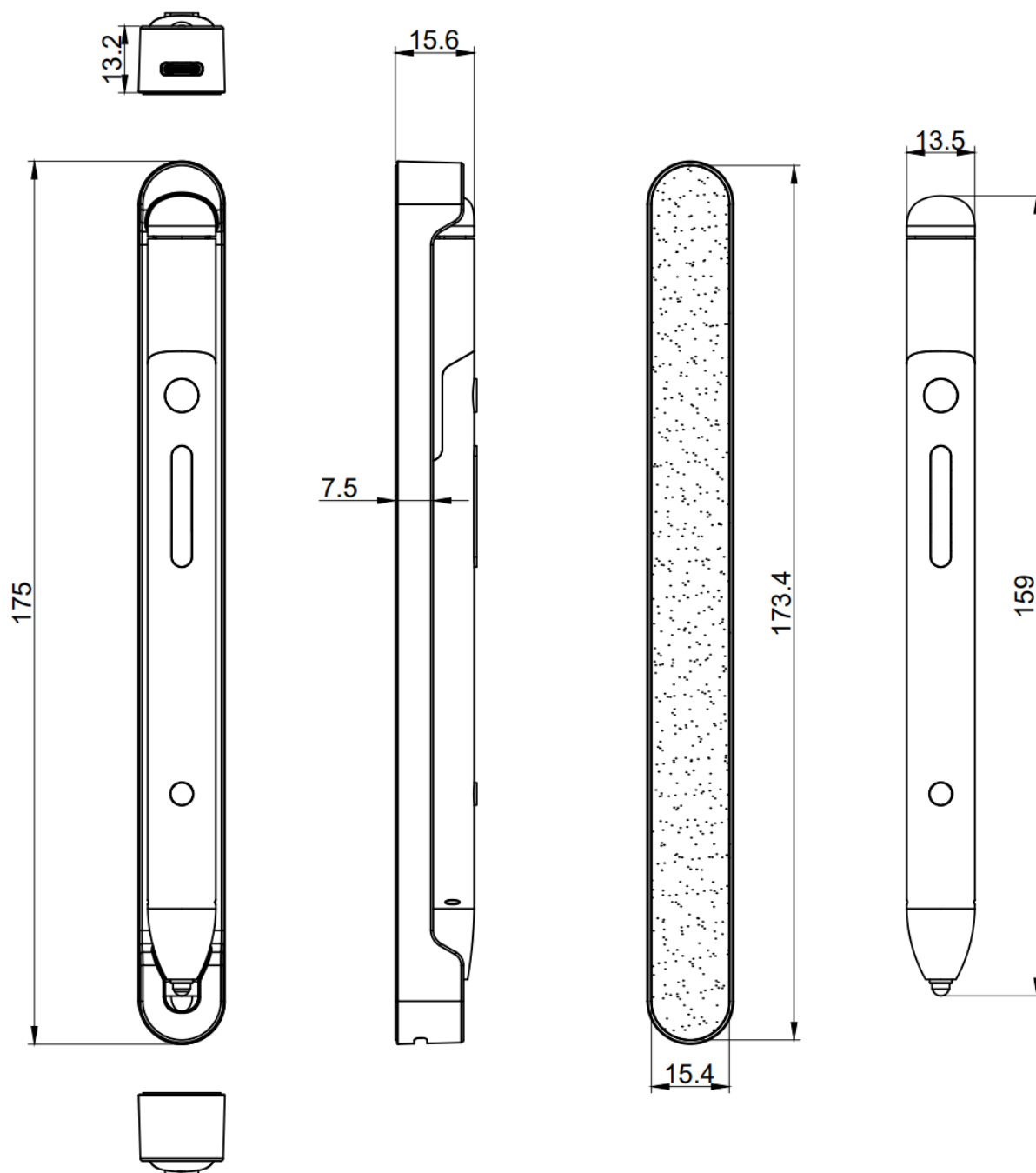
P2R-UWA



充电底座周围不能有障碍物遮挡，建议安装在触控设备侧边或正前方。该形态增加了无线充电、收纳两种功能。

There should be no obstacles around the charging base, and it is recommended to install it on the side or in front of the touch device. This model adds two functions of wireless charging and storage.

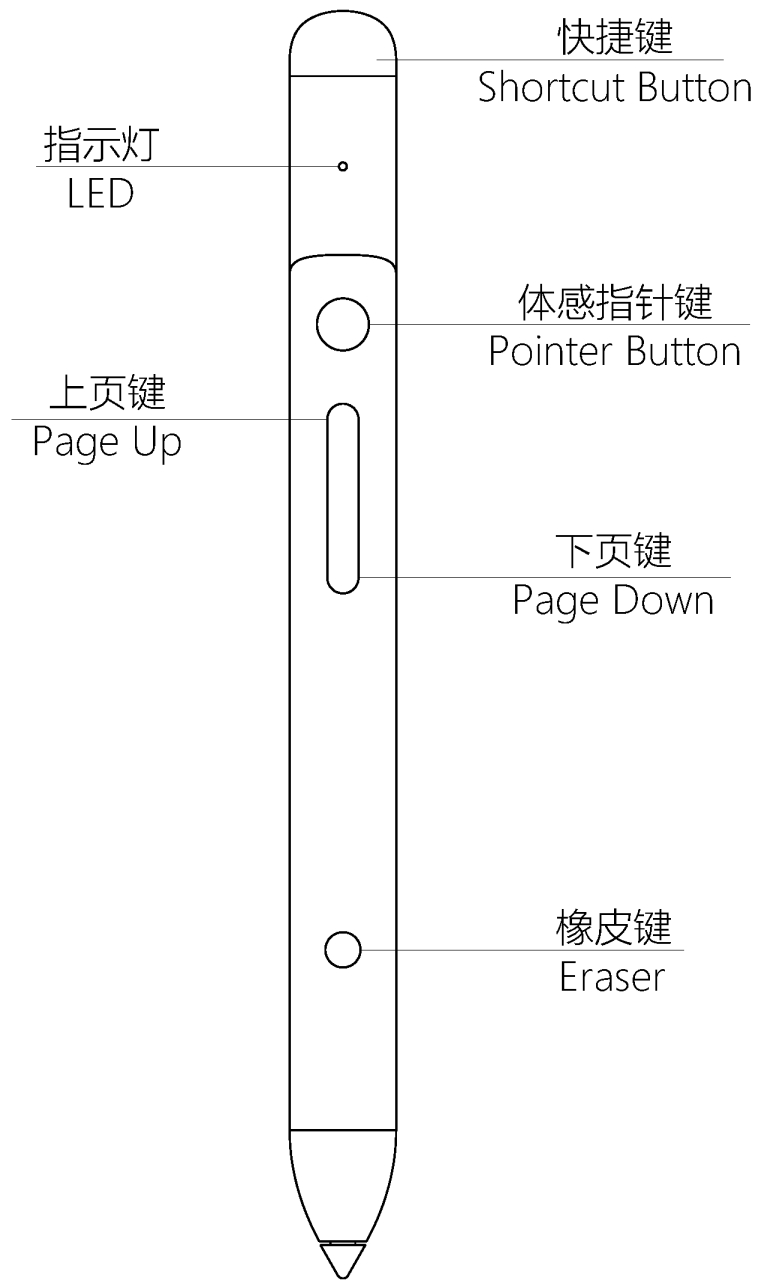
P2C-UWA



充电底座周围不能有障碍物遮挡，建议安装在触控设备侧边或正前方。该形态增加了无线充电、收纳两种功能。

There should be no obstacles around the charging base, and it is recommended to install it on the side or in front of the touch device. This model adds two functions of wireless charging and storage.

3. 按键说明/Button Description



快捷键/Shortcut Button

- 默认设置：
 - 单击：打开SkizzePen软件中自带的InkPage白板软件；
 - 双击：截图并返回InkPage白板软件批注；
 - 长按：返回桌面；
 - 兼容Windows Ink；
 - 翻开胶帽可用Type-C线给笔进行充电；
 - Default Setting:
 - Single-click: open the InkPage whiteboard software;
 - Double-click: take a screenshot and return to the InkPage whiteboard software for annotation;
 - Press and hold: return to the desktop;
 - Windows Ink compatible;
 - Open the tail-end rubber cap and use the Type-C cable to charge the pen;
-

指示灯/LED

- 红色：
 - 闪烁3次：电量低于20%
 - 常亮：充电中
 - 绿色：
 - 闪烁3次：关机中
 - 常亮：已充满
 - 蓝色：
 - 闪烁3次：未连接（按顶部按键）
 - 白色：
 - 闪烁3次：开机中
 - 闪烁1次：已连接（按顶部按键）
 - Red:
 - Flash 3 times: low battery (less than 20%)
 - Constantly on: charging
 - Green:
 - Flash 3 times: shutting down
 - Constantly on: fully charged
 - Blue:
 - Flash 3 times: not connected (when pressing the top button)
 - White:
 - Flash 3 times: booting
 - Flash 1 time: connected (when pressing the top button)
-

体感指针键/Pointer Button

- 调出空鼠、聚光灯、放大镜、红点

空鼠为基本功能，聚光灯、放大镜、红点则需要SkizzePen软件及驱动支持。

切换方式：将笔身与地面垂直，双击该键即可轮换；

- Air mouse, spotlight, magnifying glass, virtual laser

Air mouse is the basic function, while spot light, magnifying glass and virtual laser need SkizzePen software and driver to support.

Switching method: hold the pen perpendicular to the ground, double-click the pointer button to rotate;

上页键/Page Up

- 单击：上翻页
- 长按：播放PPT/ 自定义
- Single-click: page up
- Press and hold: Play PPT/Support custom settings

下页键/Page Down

- 单击：下翻页
 - 长按：退出PPT/ 自定义
 - Single-click: page down
 - Press and hold: Exit PPT/Support custom settings
-

橡皮键/Eraser

- 单击：切换书写笔迹颜色（红、绿、黄、黑轮换）¹
- 长按：擦除笔迹
- Single-click: change colors of handwriting(rotate among red, green, yellow and black)¹
- Press and hold: erase strokes

4. 基本参数/Basic Parameters

项目/Items	参数/Parameters
笔身材质/Main Material	ABS, 铝合金/ABS, Aluminum alloy
笔尖材质/Nib Material	POM
开关机方式/Power Switch	磁敏开关/Magnetism sensing switch
压感等级/Pressure Sensitivity Level	4096
压力响应范围/Range of Pressure	10~300g
通讯接口/Communication Interface	BLE 5.0
通讯距离/Communication Distance	8m (无遮挡) /8m (unobstructed)
锂电池额定容量/Lithium Battery Rated Capacity	120mAh
输入 (充电底座) /Input (charging base) ²	5V=450mA
输入 (笔) /Input (smart pen)	5V=110mA
额定功率/Rated Power	0.55W
操作系统/Operating System	Windows7 SP1及以上、Android6.0及以上/Windows7 SP1 and above、Android6.0 and above
认证/Certification	SRRC, CE, FCC, ROHS

5. 环境参数/Environmental Requirements

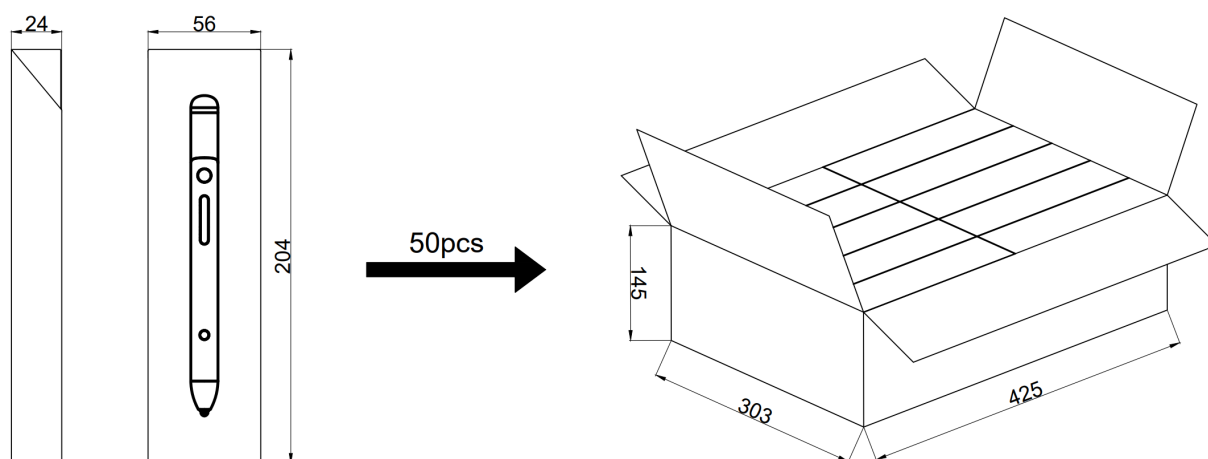
项目/Items	参数/Parameters
储存温度/Storage Temperature	-20~45°C
工作温度/Operating Temperature	0~45°C
24h盐雾试验 (金属笔管) /24h Salt Spray Test (metal pen tube)	GB/T10125-1997
按键操作寿命/Button Operation Life	300,000次/300,000 times
跌落测试 (带包装) /Drop Test (with package)	跌落高度: 110cm, 大理石地面/Drop height: 110cm, marble ground
电池寿命循环/Battery Life Cycle	500次充放电, 电池容量≥80%/500 cycles of charge and discharge, battery capacity ≥ 80%
笔尖耐磨次数/Pen Nib Abrasion Resistance Test	磨损次数: 100,000次, 磨损≤1mm。测试要求: 磨砂玻璃 (粗糙度1.0), 测试压力500g, 往返行程10cm/Abrasion times: 100,000 times, wear ≤1mm. Test requirements: frosted glass (roughness 1.0), 500g test pressure, 10cm round trip

6. 包装清单/Packing List

	P2R-UTA	P2C-UTA	P2R-UWA	P2C-UWA
智能笔/Smart Pen	✓	✓	✓	✓
备用笔尖/Spare Nib	✓	✓	✓	✓
笔帽/Pen Cap	✓	✓	✗	✗
蓝牙接收器/Bluetooth Receiver	✓	✓	✗	✗
Type-C传输线/Type-C Cable	✓	✓	✓	✓
无线充电底座/Charging Base	✗	✗	✓	✓

7. 出货信息/Shipping Information

	P2R-UTA	P2C-UTA	P2R-UWA	P2C-UWA
笔身净重/Net Weight (pen)	20±1g	20±1g	20±1g	20±1g
充电盒净重 Net Weight (Charging base)	×	×	20±1g	20±1g
单品包装尺寸/Single Package Size	204*56*24mm	204*56*24mm	204*56*24mm	204*56*24mm
整箱尺寸/Whole Package Size	425*303*145mm	425*303*145mm	425*303*145mm	425*303*145mm
整箱数量/QTY per Carton	50pcs	50pcs	50pcs	50pcs
整箱毛重/Gross Weight per Carton	5kg	5kg	6.5kg	6.8kg



8. 其他信息/Other Info.

- 软件下载/Software Download: www.skizze.cn
- 技术支持/Technical Support: +86 18888840124

1. 该功能需安装InkPage软件。This function requires InkPage software to be installed.  

2. 仅P2R-UWA, P2C-UWA包含充电底座输入参数。Only for P2R-UWA, P2C-UWA. 