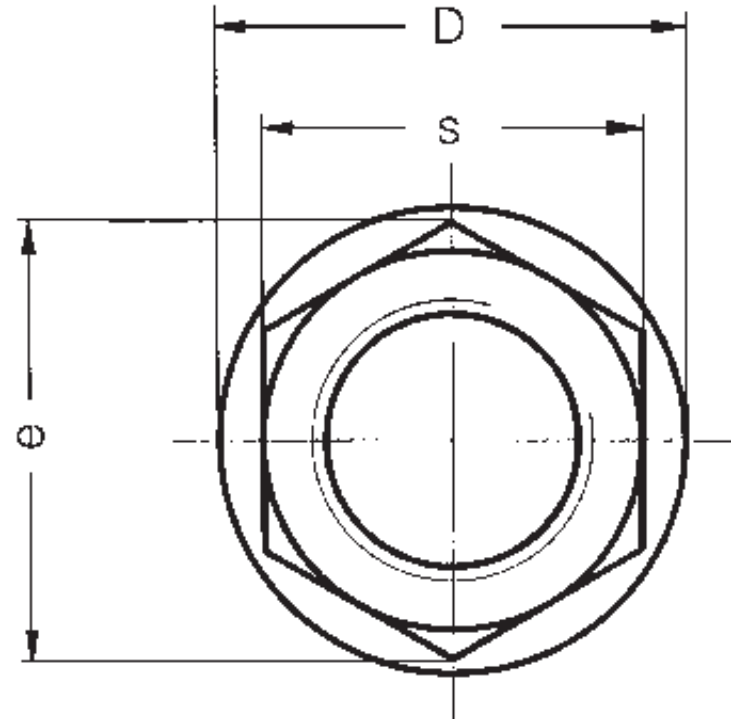
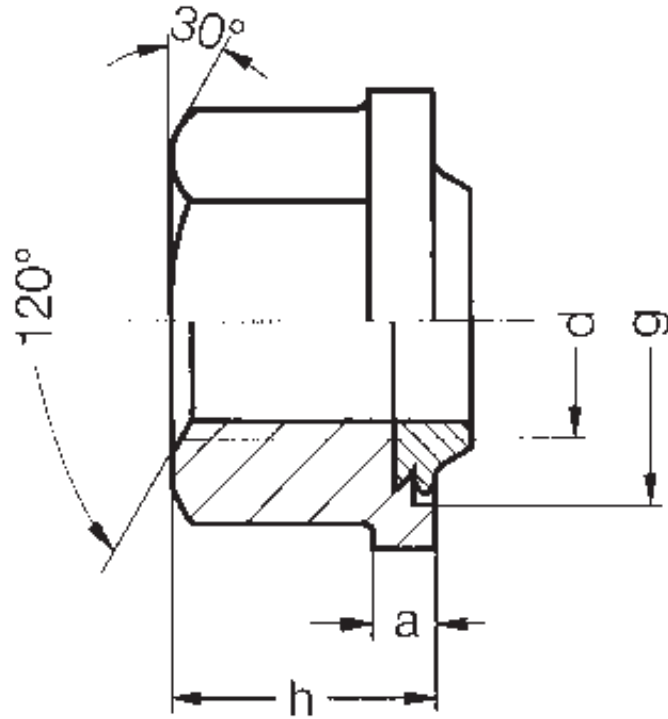


THIS DOCUMENT IS THE PROPERTY OF SINOHUA ENGINEERING SOLUTIONS. THE CONTENTS ARE CONFIDENTIAL AND CONSTITUTE TRADE SECRETS PROPRIETARY TO SINOHUA ENGINEERING SOLUTIONS. NEITHER THIS DOCUMENT NOR ITS CONTENT SHALL BE DISCLOSED TO ANY UNAUTHORIZED PERSON, COPIED OR PUBLISHED WITHOUT SINOHUA ENGINEERING SOLUTIONS' PRIOR WRITTEN CONSENT.

REV.	MODIFICATION.	DATE	DRN
01	PRODUCTION RELEASE	02/02/16	SFH



** TORQUE IS RECOMMENDED PER DIN ISO 898 AND DIN 127 ACCORDING TO PROPERTY CLASS 8

物料编号	零件名称	D	S	h	建议安装扭力 N.m **
SN-M601	Sealing Nut M6*0.5	12	10	7	10.0-11.1
SN-M602	Sealing Nut M6*1	12	10	7	9.0-10.1
SN-M801	Sealing Nut M8*1	17	13	8.5	22.8-26.5
SN-M802	Sealing Nut M8*1.25	17	13	8.5	21.6-24.6
SN-M1001	Sealing Nut M10*1	21	17	9	46-53
SN-M1002	Sealing Nut M10*1.5	21	17	9	46-48
SN-M1201	Sealing Nut M12*1	23	19	10	82-94
SN-M1202	Sealing Nut M12*1.25	23	19	10	78-91
SN-M1203	Sealing Nut M12*1.5	23	19	10	78-90
SN-M1204	Sealing Nut M12*1.75	23	19	10	73-84
SN-M1400	Sealing Nut M14*1.5	27	22	11	124-142
SN-M1601	Sealing Nut M16*1.5	37	30	18	189-218
SN-M1602	Sealing Nut M16*2	37	30	18	180-206

		ALL DIMENSIONS IN mm GENERAL TOLERANCES ±0.25 UNLESS OTHERWISE STATED 1 DECIMAL PLACE ±0.25 2 DECIMAL PLACES ± 0.10 ANGULAR ±1°		THIRD ANGLE 	
MATERIAL: HARDEN STEEL W/ POLYAMIDE 11 POLYMER		COLOUR: SEE TABLE			
DESCRIPTION: SEALING NUT		PART No: SEE TABLE			
DRG No: 012-006	PROJECT NUMBER: EU12-0020	Mass:(g)	SHEET SIZE A4		
DRN SFH	DATE 03/02/12	CHKD TC	DATE 03/02/12	SCALE NTS	SHEET No. 1 OF 1