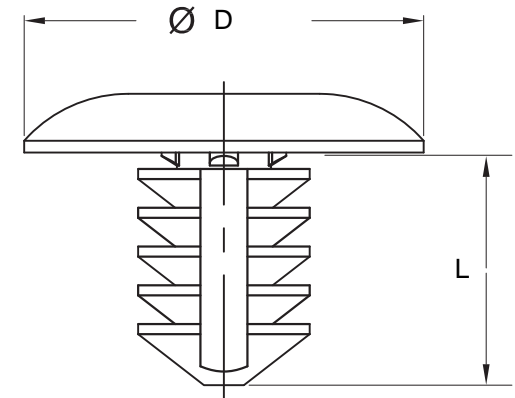


THIS DOCUMENT IS THE PROPERTY OF SINOHUA ENGINEERING SOLUTIONS. THE CONTENTS ARE CONFIDENTIAL AND CONSTITUTE TRADE SECRETS PROPRIETARY TO SINOHUA ENGINEERING SOLUTIONS. NEITHER THIS DOCUMENT NOR ITS CONTENT SHALL BE DISCLOSED TO ANY UNAUTHORIZED PERSON, COPIED OR PUBLISHED WITHOUT SINOHUA ENGINEERING SOLUTIONS' PRIOR WRITTEN CONSENT.

| REV. | MODIFICATION. | DATE | DRN |
|------|--------------------|----------|-----|
| 01 | Production Release | 16/06/15 | PH |

| 零件编号 | 安装孔径 | L | ΦD | 零件编号 | 安装孔径 | L | ΦD |
|----------|---------|------|------|----------|---------|------|------|
| XR22223 | 2.5-2.8 | 18.7 | 5.4 | XR22233 | 5.9 | 11.2 | 12.6 |
| XR22224 | 2.7-3.0 | 10.2 | 10.6 | XR22206 | 5.9 | 11.3 | 12.4 |
| XR22610 | 2.7-3.3 | 11.0 | 6.0 | XR22850 | 6.0 | 9.0 | 20.0 |
| XR22202 | 3.2 | 9.9 | 9.1 | XR22611 | 6.0 | 9.9 | 17.0 |
| XR22603 | 4.0 | 8.6 | 12.0 | XR22853 | 6.0 | 9.0 | 30.0 |
| XR22842 | 4.0 | 10.5 | 10.6 | XR22822 | 6.0 | 11.7 | 10.0 |
| XR22604 | 4.0 | 11.1 | 12.0 | XR22859 | 6.0 | 16.0 | 12.0 |
| XR22849 | 4.0 | 12.0 | 12.0 | XR22863 | 6.0 | 16.1 | 9.8 |
| XR22605 | 4.0 | 15.0 | 12.0 | XR22234 | 6.0 | 16.9 | 18.0 |
| XR22203 | 4.0 | 22.3 | 10.4 | XR22235 | 6.0 | 19.5 | 18.0 |
| XR22834 | 4.2 | 9.6 | 9.1 | XR22854 | 6.0 | 20.0 | 18.0 |
| XR22225 | 4.6-4.8 | 10.0 | 18.0 | XR22871 | 6.0 | 27.0 | 16.0 |
| XR22226 | 4.6-4.8 | 13.5 | 9.2 | XR22236 | 6.0 | 36.5 | 25.7 |
| XR22227 | 4.6-4.8 | 17.6 | 11.1 | XR22885* | 6.1 | 15.5 | 17.8 |
| XR22606 | 4.8 | 8.6 | 8.0 | XR22237 | 6.1 | 20.3 | 35.0 |
| XR22607 | 4.8 | 11.1 | 8.0 | XR22886* | 6.1 | 20.4 | 17.8 |
| XR22608 | 4.8 | 12.2 | 11.0 | XR22873 | 6.3 | 17.0 | 22.8 |
| XR22609 | 4.8 | 15.0 | 8.0 | XR22806 | 6.3 | 24.0 | 13.0 |
| XR22884* | 4.8 | 17.3 | 11.0 | XR22207 | 6.4 | 13.1 | 9.4 |
| XR22228 | 4.8 | 17.5 | 18.9 | XR22600 | 6.4 | 15.9 | 12.7 |
| XR22829 | 5.0 | 6.0 | 12.0 | XR22612 | 6.4 | 15.9 | 19.0 |
| XR22613 | 5.0 | 9.7 | 12.0 | XR22887* | 6.4 | 15.9 | 19.1 |
| XR22201 | 5.0 | 12.0 | 10.0 | XR22208 | 6.4 | 20.6 | 13.7 |
| XR22825 | 5.0 | 14.8 | 20.2 | XR22893 | 6.4-6.5 | 21.0 | 18.0 |
| XR22821 | 5.0 | 16.2 | 13.4 | XR22888* | 6.4 | 35.1 | 17.8 |
| XR22851 | 5.0 | 18.0 | 15.0 | XR22200 | 6.5 | 19.1 | 49.6 |
| XR22229 | 5.0 | 22.7 | 18.8 | XR22882 | 6.5 | 21.0 | 18.0 |
| XR22844 | 5.1 | 15.7 | 11.2 | XR22238 | 6.5 | 44.6 | 25.7 |
| XR22204 | 5.1 | 16.2 | 9.9 | XR22239 | 6.4-6.9 | 13.4 | 31.0 |
| XR22205 | 5.1 | 17.6 | 22.8 | XR22240 | 6.4-6.9 | 15.5 | 19.2 |
| XR22836 | 5.1 | 22.2 | 10.3 | XR22209 | 6.4-6.9 | 16.0 | 17.6 |
| XR22879 | 5.3 | 23.2 | 18.8 | XR22210 | 6.4-6.9 | 16.0 | 17.8 |
| XR22815 | 5.4 | 12.7 | 17.4 | XR22241 | 6.4-6.9 | 16.2 | 17.7 |
| XR22230 | 5.4 | 16.5 | 12.4 | XR22242 | 6.4-6.9 | 16.2 | 17.9 |
| XR22231 | 5.6 | 13.0 | 20.0 | XR22211 | 6.4-6.9 | 16.6 | 32.6 |
| XR22232 | 5.6 | 16.2 | 12.5 | XR22243 | 6.4-6.9 | 17.3 | 20.0 |
| XR22897 | 5.6-6.2 | 17.0 | 12.0 | XR22244 | 6.4-6.9 | 17.5 | 12.3 |
| XR22898 | 5.6-6.2 | 35.0 | 12.0 | XR22245 | 6.4-6.9 | 24.8 | 17.6 |
| XR22803 | 5.7 | 17.7 | 19.1 | XR22246 | 6.4-6.9 | 24.9 | 21.1 |



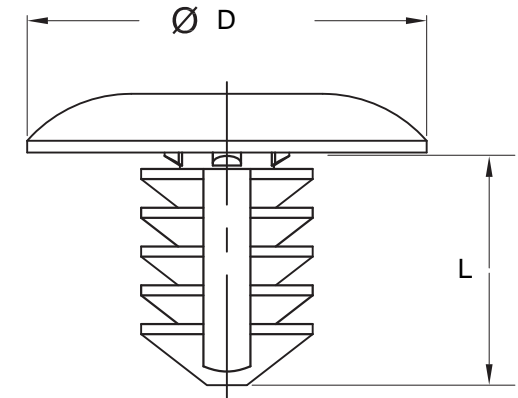
Page 1 of 2

| | | | | | |
|------------------------------------|----------------------|---|----------------------|-----------------------------|-------------------------|
| CONTROLLED DOCUMENT | | | | | |
| | | GENERAL TOLERANCES ± 0.25 [.010] UNLESS OTHERWISE STATED 1 DECIMAL PLACE ± 0.25 [.010] 2 DECIMAL PLACES ± 0.10 [.004] ANGULAR $\pm 1^\circ$ | | | THIRD ANGLE |
| | | MATERIAL: NYLON 66 | | COLOUR: BLACK/ WHITE | |
| DESCRIPTION: FIR TREE RIVET | | | | PART No: SEE TABLE | |
| DRG No: 145234534 | | NPR No: GB08-0002 | | Mass:(g) | SHEET SIZE A4 |
| DRN PH | DATE 18/03/15 | CHKD JC | DATE 16/06/15 | SCALE NTS | SHEET No. 1 of 2 |


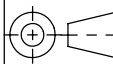
THIS DOCUMENT IS THE PROPERTY OF SINOHUA ENGINEERING SOLUTIONS. THE CONTENTS ARE CONFIDENTIAL AND CONSTITUTE TRADE SECRETS PROPRIETARY TO SINOHUA ENGINEERING SOLUTIONS. NEITHER THIS DOCUMENT NOR ITS CONTENT SHALL BE DISCLOSED TO ANY UNAUTHORIZED PERSON, COPIED OR PUBLISHED WITHOUT SINOHUA ENGINEERING SOLUTIONS' PRIOR WRITTEN CONSENT.

| REV. | MODIFICATION. | DATE | DRN |
|------|--------------------|----------|-----|
| 01 | Production Release | 16/06/15 | PH |

| 零件编号 | 安装孔径 | L | ΦD | 零件编号 | 安装孔径 | L | ΦD |
|----------|---------|------|------|---------|-----------|------|------|
| XR22212 | 6.4-6.9 | 27.7 | 22.1 | XR22868 | 7.6 | 23.5 | 21.0 |
| XR22213 | 6.4-6.9 | 27.9 | 18.0 | XR22860 | 7.6 | 27.6 | 18.0 |
| XR22214 | 6.4-6.9 | 28.8 | 25.7 | XR22839 | 7.7 | 16.3 | 17.8 |
| XR22247 | 6.4-6.9 | 29.2 | 26.0 | XR22841 | 7.7 | 16.4 | 17.8 |
| XR22248 | 6.4-6.9 | 34.0 | 18.0 | XR22865 | 7.7 | 47.4 | 18.0 |
| XR22249 | 6.4-6.9 | 45.0 | 18.0 | XR22852 | 7.8 | 16.4 | 17.9 |
| XR22215 | 6.4-6.9 | 47.4 | 17.9 | XR22805 | 7.9 | 15.5 | 17.6 |
| XR22250 | 6.6-7.2 | 12.8 | 40.9 | XR22838 | 7.9 | 16.4 | 32.5 |
| XR22894 | 6.6-7.2 | 28.0 | 20.0 | XR22810 | 7.9 | 18.0 | 24.3 |
| XR22876 | 6.7 | 15.5 | 16.1 | XR22807 | 7.9 | 19.3 | 20.0 |
| XR22216 | 6.7 | 20.0 | 17.9 | XR22804 | 7.9 | 20.0 | 18.0 |
| XR22891 | 6.7-7.0 | 27.8 | 22.2 | XR22846 | 7.9 | 20.6 | 25.4 |
| XR22251 | 6.9-7.0 | 22.7 | 44.7 | XR22816 | 7.9 | 22.2 | 18.4 |
| XR22252 | 6.9-7.0 | 24.8 | 14.0 | XR22855 | 7.9 | 23.0 | 44.5 |
| XR22601 | 7.0 | 10.4 | 18.3 | XR22817 | 7.9 | 24.2 | 24.0 |
| XR22880 | 7.0 | 12.0 | 19.0 | XR22864 | 7.9 | 27.2 | 18.9 |
| XR22856 | 7.0 | 23.0 | 18.0 | XR22843 | 7.9 | 27.3 | 30.9 |
| XR22890* | 7.0 | 27.3 | 18.0 | XR22824 | 7.9 | 28.6 | 25.4 |
| XR22840 | 7.0 | 27.8 | 22.2 | XR22823 | 8.0 | 12.8 | 40.8 |
| XR22883 | 7.0 | 28.0 | 20.0 | XR22818 | 8.0 | 18.5 | 16.0 |
| XR22889* | 7.0 | 34.8 | 30.0 | XR22881 | 8.0 | 20.0 | 20.0 |
| XR22820 | 7.0 | 37.0 | 25.9 | XR22831 | 8.0 | 22.8 | 19.0 |
| XR22819 | 7.1 | 12.7 | 19.1 | XR22812 | 8.0 | 35.2 | 19.4 |
| XR22253 | 7.0-7.3 | 14.8 | 10.0 | XR22895 | 8.0-8.5 | 20.0 | 20.0 |
| XR22254 | 7.0-7.3 | 20.7 | 12.9 | XR22814 | 8.1 | 23.9 | 20.2 |
| XR22255 | 7.0-7.3 | 20.6 | 32.7 | XR22845 | 8.1 | 30.1 | 32.0 |
| XR22256 | 7.0-7.3 | 27.4 | 30.9 | XR22262 | 8.2 | 20.1 | 16.0 |
| XR22602 | 7.0-7.3 | 50.8 | 16.5 | XR22857 | 8.2 | 20.7 | 33.0 |
| XR22878 | 7.2 | 19.7 | 15.2 | XR22861 | 8.2 | 33.3 | 19.6 |
| XR22827 | 7.2 | 38.8 | 25.6 | XR22809 | 8.3 | 21.8 | 18.9 |
| XR22257 | 7.2-7.5 | 33.3 | 19.4 | XR22848 | 8.3 | 33.4 | 19.6 |
| XR22258 | 7.2-7.5 | 50.4 | 15.4 | XR22218 | 8.5 | 20.1 | 24.2 |
| XR22833 | 7.4 | 13.2 | 9.0 | XR22826 | 8.7 | 29.9 | 18.0 |
| XR22259 | 7.5 | 14.0 | 20.1 | XR22219 | 8.7-8.9 | 20.1 | 16.1 |
| XR22260 | 7.5 | 21.9 | 19.0 | XR22874 | 9.1 | 20.2 | 20.3 |
| XR22862 | 7.5 | 27.2 | 25.7 | XR22866 | 9.5 | 19.5 | 23.6 |
| XR22869 | 7.5 | 34.0 | 18.0 | XR22858 | 9.8 | 20.2 | 16.2 |
| XR22872 | 7.5 | 35.0 | 17.5 | XR22220 | 9.8 | 21.7 | 25.2 |
| XR22899 | 7.5-7.9 | 17.5 | 21.0 | XR22263 | 9.8-10 | 20.1 | 20.8 |
| XR22261 | 7.5-7.9 | 17.8 | 17.6 | XR22221 | 9.8-10 | 29.4 | 21.4 |
| XR22217 | 7.5-7.9 | 29.8 | 18.9 | XR22222 | 10.2-10.5 | 21.2 | 21.3 |
| XR22867 | 7.6 | 15.4 | 12.6 | XR22802 | 11.1 | 21.7 | 25.4 |
| XR22801 | 7.6 | 19.1 | 49.7 | XR22847 | 11.5 | 21.2 | 21.6 |
| XR22811 | 7.6 | 19.8 | 25.7 | XR22264 | 12.2-12.7 | 28.6 | 21.3 |



Page 2 of 2

| | | | | | |
|---|----------------------|---|----------------------|--|-------------------------|
| CONTROLLED DOCUMENT | | | | | |
|  | | GENERAL TOLERANCES ±0.25 [.010] UNLESS OTHERWISE STATED 1 DECIMAL PLACE ±0.25 [.010] 2 DECIMAL PLACES ± 0.10 [.004] ANGULAR ±1° | | THIRD ANGLE  | |
| MATERIAL: NYLON 66 | | | | COLOUR: BLACK/ WHITE | |
| DESCRIPTION: FIR TREE RIVET | | | | PART No: SEE TABLE | |
| DRG No: 145234534 | | NPR No: GB08-0002 | | Mass:(g) | SHEET SIZE A4 |
| DRN PH | DATE 18/03/15 | CHKD JC | DATE 16/06/15 | SCALE NTS | SHEET No. 2 of 2 |