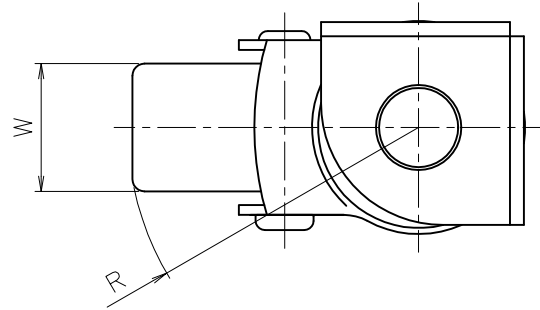


THIS DOCUMENT IS THE PROPERTY OF SINOHUA ENGINEERING SOLUTIONS. THE CONTENTS ARE CONFIDENTIAL AND CONSTITUTE TRADE SECRETS PROPRIETARY TO SINOHUA ENGINEERING SOLUTIONS. NEITHER THIS DOCUMENT NOR ITS CONTENT SHALL BE DISCLOSED TO ANY UNAUTHORIZED PERSON, COPIED OR PUBLISHED WITHOUT SINOHUA ENGINEERING SOLUTIONS' PRIOR WRITTEN CONSENT.

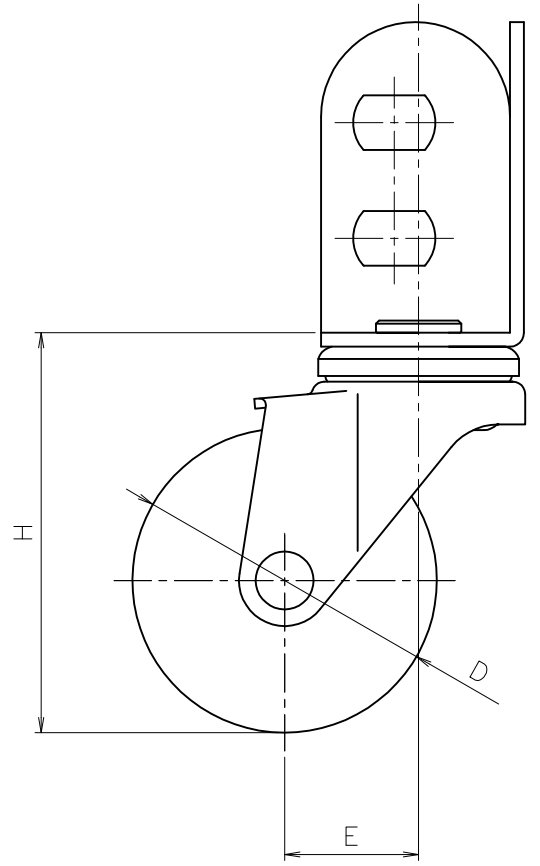
REV.	MODIFICATION.	DATE	DRN
01	PRODUCTION RELEASE	02/02/16	SFH



品番		車輪	車輪徑 D (mm)	車幅 W (mm)	取付高 H (mm)	偏心 E (mm)	旋回半徑 R (mm)	許容荷重 (daN) (kgf)	
SSA-50	R	Rubber wheel	50	20	65	22	47	30	30.6
	N	Nylon wheel		21				40	40.8

• SSA-75

品番		車輪	車輪徑 D (mm)	車幅 W (mm)	取付高 H (mm)	偏心 E (mm)	旋回半徑 R (mm)	許容荷重 (daN) (kgf)	
SSA-75	RH	Rubber wheel	75	25	96	28	68	60	61.2
	NR	Rubber/Nylon		27				60	61.2
	N	Nylon wheel		25				60	61.2
	UR	Urethane/Nylon		26				60	61.2
	EL	Elastomer		27				50	51.0



● Part numbers end with suffix "S"  
Indicates that a stopper is equipped.

		ALL DIMENSIONS IN mm GENERAL TOLERANCES ±0.25 UNLESS OTHERWISE STATED 1 DECIMAL PLACE ±0.25 2 DECIMAL PLACES ±0.10 ANGULAR ±1°		THIRD ANGLE 	
MATERIAL: SEE TABLE			COLOUR: SEE TABLE		
DESCRIPTION: <b>CORNOR MOUNT CASTER</b>			PART No: SEE TABLE		
DRG No: 012-006		PROJECT NUMBER: EU12-0020		Mass:(g)	SHEET SIZE A4
DRN SFH	DATE 03/02/12	CHKD TC	DATE 03/02/12	SCALE NTS	SHEET No. 1 OF 1