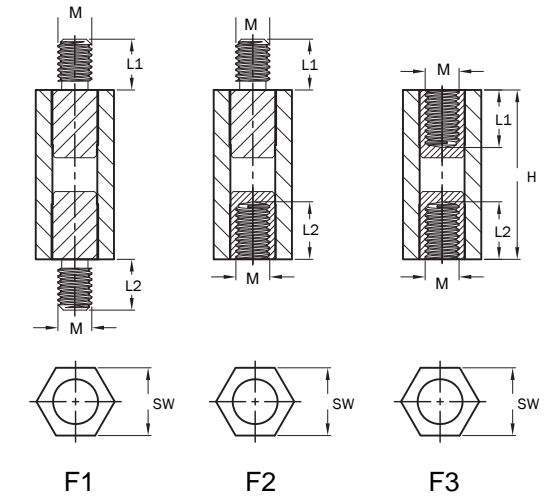


THIS DOCUMENT IS THE PROPERTY OF SINOHUA ENGINEERING SOLUTIONS. THE CONTENTS ARE CONFIDENTIAL AND CONSTITUTE TRADE SECRETS PROPRIETARY TO SINOHUA ENGINEERING SOLUTIONS. NEITHER THIS DOCUMENT NOR ITS CONTENT SHALL BE DISCLOSED TO ANY UNAUTHORIZED PERSON, COPIED OR PUBLISHED WITHOUT SINOHUA ENGINEERING SOLUTIONS' PRIOR WRITTEN CONSENT.

REV.	MODIFICATION.	DATE	DRN
01	Production Release	22/08/08	PH

Article# Table		Dimensional Table					
物料编号		各处尺寸					
螺纹	F1	F2	F3	H	SW	L1	L2
M2		HSM2-20		10.0	7	6	6
M2.5		HSM2.5-20		10.0	6.0	4.0	4.0
M2.5	HSM2.5-11	HSM2.5-21	HSM2.5-31	15.0	6.4	6.0	6.0
M2.5	HSM2.5-12	HSM2.5-22	HSM2.5-32	18.0	6.4	6.0	6.0
M2.5	HSM2.5-13	HSM2.5-23	HSM2.5-33	20.0	6.4	6.0	6.0
M2.5	HSM2.5-14	HSM2.5-24	HSM2.5-34	25.0	6.4	6.0	6.0
M2.5/M3*	HSM2.5M3X			42.0	6.0	两端外螺纹 M2.5*6 / M3*6	
M3	HSM3-MM11			7.0	7.0	6.4	6.4
M3		HSM3-MF21		7.0	7.0	4.0	6.4
M3		HSM3-MF22		7.0	7.0	4.0	8.1
M3		HSM3-MF20		10.0	5.4	6.0	6.0
M3			HSM3-FF31	10.0	7.0	4.0	4.0
M3		HSM3-MF23		10.0	7.0	4.0	6.4
M3		HSM3-MFX0		12.0	8.0	3.0	6.0
M3	HSM3-MM12	HSM3-MF24	HSM3-FF33	15.0	6.4	6.0	6.0
M3	HSM3-MM13	HSM3-MF25	HSM3-FF34	16.0	6.4	6.0	6.0
M3	HSM3-MM14	HSM3-MF26	HSM3-FF35	18.0	6.4	6.0	6.0
M3	HSM3-MM15	HSM3-MF27	HSM3-FF36	20.0	6.4	6.0	6.0
M3	HSM3-MM16	HSM3-MF28	HSM3-FF37	22.0	6.4	6.0	6.0
M3		HSM3-MF29		22.0	6.4	10.0	6.4
M3	HSM3-MM17	HSM3-MF30	HSM3-FF38	25.0	6.4	6.0	6.0
M3	HSM3-MM18	HSM3-MF31	HSM3-FF39	28.0	6.4	6.0	6.0
M3	HSM3-MM19	HSM3-MF32	HSM3-FF40	30.0	6.4	6.0	6.0
M3	HSM3-MM20	HSM3-MF33	HSM3-FF41	36.0	6.4	6.0	6.0
M3	HSM3-MM21	HSM3-MF34	HSM3-FF42	38.0	6.4	6.0	6.0
M3	HSM3-MM22	HSM3-MF35	HSM3-FF43	40.0	6.4	6.0	6.0
M3	HSM3-MM23	HSM3-MF36	HSM3-FF44	41.0	6.4	6.0	6.0
M3	HSM3-MM24	HSM3-MF37	HSM3-FF45	45.0	6.4	6.0	6.0
M3			HSM3-FF46	73.0	6.4	6.0	6.0
M4	HSM4-MM01	HSM4-MF01		12.0	8.0	6.0	6.0
M4	HSM4-MM02	HSM4-MF02	HSM4-FF01	15.0	8.0	6.0	6.0
M4	HSM4-MM03	HSM4-MF03	HSM4-FF02	20.0	8.0	6.0	6.0
M4	HSM4-MM04	HSM4-MF04	HSM4-FF03	22.0	8.0	6.0	6.0
M4	HSM4-MM05	HSM4-MF05	HSM4-FF04	25.0	8.0	6.0	6.0
M4	HSM4-MM06	HSM4-MF06	HSM4-FF05	27.0	8.0	6.0	6.0
M4	HSM4-MM07	HSM4-MF07	HSM4-FF06	30.0	8.0	6.0	6.0
M4	HSM4-MM08	HSM4-MF08	HSM4-FF07	36.0	8.0	6.0	6.0
M4	HSM4-MM09	HSM4-MF09	HSM4-FF08	40.0	8.0	6.0	6.0
M4	HSM4-MM10	HSM4-MF10	HSM4-FF09	45.0	8.0	6.0	6.0
M4	HSM4-MM11	HSM4-MF11	HSM4-FF10	50.0	8.0	6.0	6.0
M4	HSM4-MM12			90.0	9.5	6.0	6.0
M4		HSM4-MF12		90.0	9.5	6.0	8.5
M4			HSM4-FF11	90.0	9.5	8.5	8.5


Article# Table		Dimensional Table					
螺纹	F1	F2	F3	H	SW	L1	L2
M5	HSM5-MM01	HSM5-MF01	HSM5-FF01	19.0	9.5	8.0	8.0
M5	HSM5-MM02	HSM5-MF02	HSM5-FF02	25.0	9.5	10.0	10.0
M5	HSM5-MM03	HSM5-MF03	HSM5-FF03	30.0	9.5	10.0	10.0
M5	HSM5-MM04	HSM5-MF04	HSM5-FF04	40.0	9.5	10.0	10.0
M5	HSM5-MM05	HSM5-MF05	HSM5-FF05	45.0	9.5	10.0	10.0
M5	HSM5-MM06	HSM5-MF06	HSM5-FF06	50.0	9.5	10.0	10.0
M5	HSM5-MM07	HSM5-MF07	HSM5-FF07	58.0	9.5	10.0	10.0
M5		HSM5-MF08		58.0	9.5	8.5	8.5
M5		HSM5-MF09		58.0	9.5	13.5	13.5
M5	HSM5-MM08	HSM5-MF10	HSM5-FF08	70.0	9.5	10.0	10.0
M5	HSM5-MM09	HSM5-MF11	HSM5-FF09	84.0	9.5	10.0	10.0
M5	HSM5-MM10	HSM5-MF12	HSM5-FF10	88.2	9.5	10.0	10.0
M5	HSM5-MM11	HSM5-MF13	HSM5-FF11	90.0	9.5	10.0	10.0
M5/M6*		HSM5M6-X0		88.2	9.5	外螺纹 M6*10 内螺纹 M5*10	
M6	HSM6-MM01	HSM6-MF01	HSM6-FF01	25.0	12.7	12.7	12.7
M6	HSM6-MM02	HSM6-MF02	HSM6-FF02	30.0	12.7	12.7	12.7
M6	HSM6-MM03	HSM6-MF03	HSM6-FF03	40.0	12.7	12.7	12.7
M6	HSM6-MM04	HSM6-MF04	HSM6-FF04	45.0	12.7	12.7	12.7
M6	HSM6-MM05	HSM6-MF05	HSM6-FF05	50.0	12.7	12.7	12.7
M6	HSM6-MM06	HSM6-MF06	HSM6-FF06	55.0	12.7	12.7	12.7
M6	HSM6-MM07	HSM6-MF07	HSM6-FF07	60.0	12.7	12.7	12.7



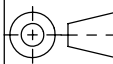
- NOTES:
- FIGURE 1 /F1  
MALE/MALE THREADED INSERTS
  - FIGURE 2 /F2  
MALE/FEMALE THREADED INSERTS
  - FIGURE 3 /F3  
FEMALE/FEMALE THREADED INSERTS

STANDARD COLOUR NATURE, UL94V2  
 BLACK COLOUR IS AVAILABLE UPON SPECIAL ORDER  
 ADD SUFFIX "BK"  
 UL94V0 IS AVAILABLE UPON SPECIAL ORDER,  
 ADD SUFFIX "V0"

CONTROLLED DOCUMENT



GENERAL TOLERANCES ±0.25 [.010]  
 UNLESS OTHERWISE STATED  
 1 DECIMAL PLACE ±0.25 [.010]  
 2 DECIMAL PLACES ± 0.10 [.004]  
 ANGULAR ±1°



MATERIAL: <b>POLYAMIDE 66 BODY BRASS THREADED INSERTS</b>		COLOUR:	
DESCRIPTION: <b>METAL INSERTS PCB STANDOFF</b>		PART No: <b>SEE TABLE</b>	
DRG No: <b>145234534</b>	NPR No: <b>GB08-0002</b>	Mass:(g)	SHEET SIZE <b>A4</b>
DRN <b>PH</b>	DATE <b>18/03/15</b>	CHKD <b>JC</b>	DATE <b>16/06/15</b>
SCALE <b>NTS</b>		SHEET No. <b>1 OF 1</b>	