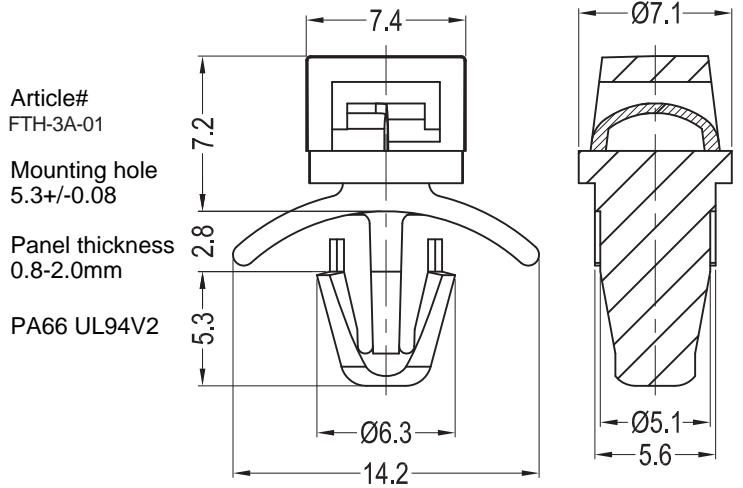
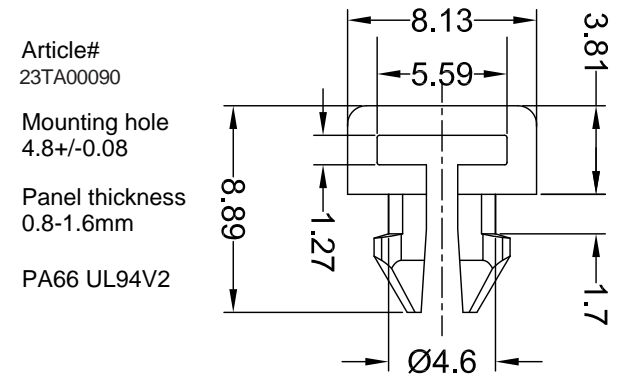


THIS DOCUMENT IS THE PROPERTY OF SINOHUA ENGINEERING SOLUTIONS. THE CONTENTS ARE CONFIDENTIAL AND CONSTITUTE TRADE SECRETS PROPRIETARY TO SINOHUA ENGINEERING SOLUTIONS. NEITHER THIS DOCUMENT NOR ITS CONTENT SHALL BE DISCLOSED TO ANY UNAUTHORIZED PERSON, COPIED OR PUBLISHED WITHOUT SINOHUA ENGINEERING SOLUTIONS' PRIOR WRITTEN CONSENT.

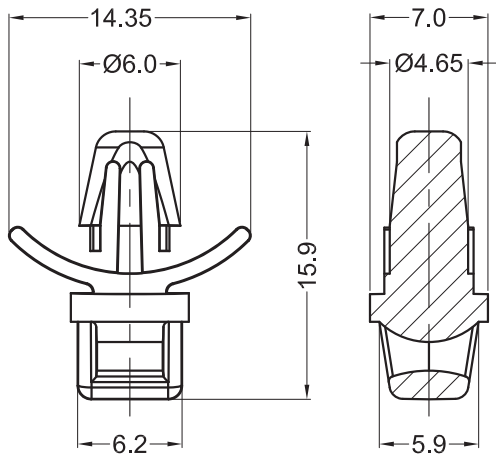
REV.	MODIFICATION.	DATE	DRN
01	PRODUCTION RELEASE	02/02/16	SFH



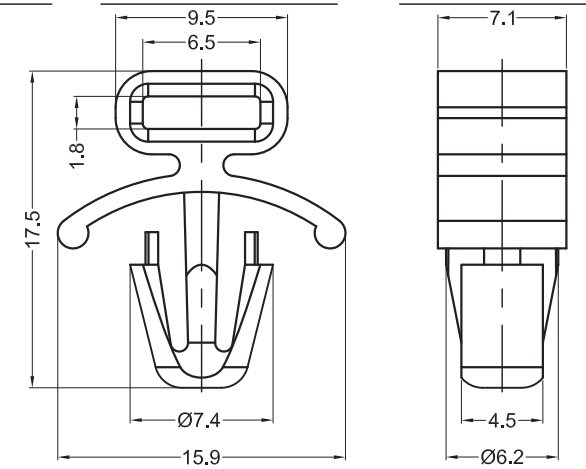
Article#
FTH-3A-01
Mounting hole
5.3+/-0.08
Panel thickness
0.8-2.0mm
PA66 UL94V2



Article#
23TA00090
Mounting hole
4.8+/-0.08
Panel thickness
0.8-1.6mm
PA66 UL94V2



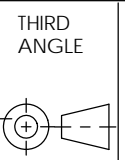
Article No.	Material	Color	Hole	Panel Thickness
FTH-3-01	PA66 UL94V2	Natural	4.75±0.08	0.79-1.98
FTH-3-19	PA66 UL94V0	Natural	4.75±0.08	0.79-1.98



Article No.	Material	Color	Hole	Panel Thickness
FTH-6-01	PA66 UL94V2	Natural	6.35±0.08	1.19-2.77
FTH-6-01BK	PA66 UL94V2	Black	6.35±0.08	1.19-2.77
FTH-6-19	PA66 UL94V0	Natural	6.35±0.08	1.19-2.77



ALL DIMENSIONS IN mm
GENERAL TOLERANCES ±0.25
UNLESS OTHERWISE STATED
1 DECIMAL PLACE ±0.25
2 DECIMAL PLACES ±0.10
ANGULAR ±1°



DESCRIPTION:
**ARROW HEAD LOCKING
CABLE TIE MOUNT CLIP**

MATERIAL: SEE TABLE		COLOUR: SEE TABLE		PART No: SEE TABLE	
DRG No: PROT-M12		PROJECT NUMBER: EU12-0020		Mass:(g)	SHEET SIZE A4
DRN SFH	DATE 03/02/12	CHKD TC	DATE 03/02/12	SCALE NTS	SHEET No. 1 OF 1