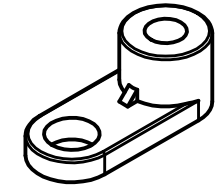
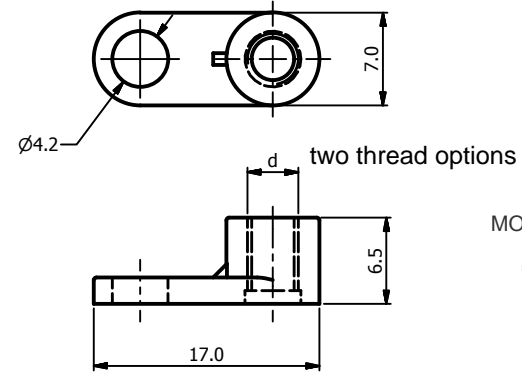
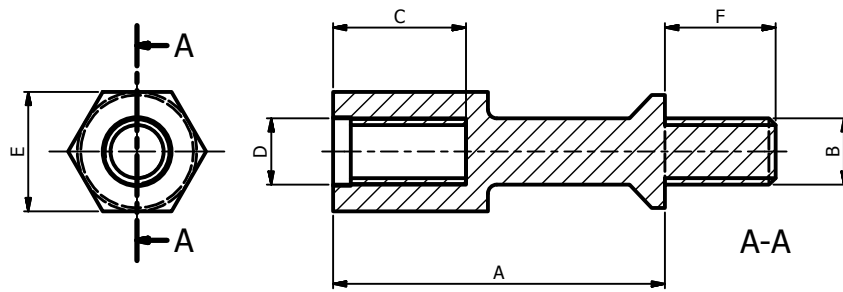


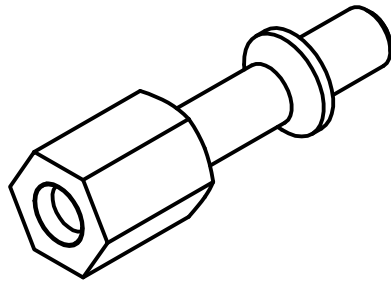
THIS DOCUMENT IS THE PROPERTY OF SINOHUA ENGINEERING SOLUTIONS. THE CONTENTS ARE CONFIDENTIAL AND CONSTITUTE TRADE SECRETS PROPRIETARY TO SINOHUA ENGINEERING SOLUTIONS. NEITHER THIS DOCUMENT NOR ITS CONTENT SHALL BE DISCLOSED TO ANY UNAUTHORIZED PERSON, COPIED OR PUBLISHED WITHOUT SINOHUA ENGINEERING SOLUTIONS' PRIOR WRITTEN CONSENT.

REV.	MODIFICATION.	DATE	DRN
01	PRODUCTION RELEASE	02/02/16	SFH



MOUNTING BASE FOOT

物料编号	d
6429-M3	M3
6429-M4	M4



NOTES

1. MATERIAL NYLON+30% GF
2. FLAMMABILITY UL94 V2
3. WORKING TEMPERATURE MIN -40°C MAX 85 °C

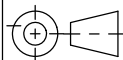
物料编号	Colour	A	B	C	D	E	F
LPR890M310	Natural	10	M3	5.5	M3	5.5	5
LPR890M315	Natural	15	M3	5.5	M3	5.5	5
LPR890M320	Natural	20	M3	5.5	M3	5.5	5
LPR890M325	Natural	25	M3	5.5	M3	5.5	5
LPR890M330	Natural	30	M3	5.5	M3	5.5	5
LPR890M410	Natural	10	M4	6.5	M4	7	6
LPR890M415	Natural	15	M4	6.5	M4	7	6
LPR890M420	Natural	20	M4	6.5	M4	7	6
LPR890M425	Natural	25	M4	6.5	M4	7	6
LPR890M430	Natural	30	M4	6.5	M4	7	6



www.sinohua.cn

ALL DIMENSIONS IN mm
 GENERAL TOLERANCES ±0.25
 UNLESS OTHERWISE STATED
 1 DECIMAL PLACE ±0.25
 2 DECIMAL PLACES ±0.10
 ANGULAR ±1°

THIRD ANGLE



DESCRIPTION:

PCB SPACER DUAL THREADED

MATERIAL:
SEE TABLE

DRG No:
138139

DRN
SFH

COLOUR:
SEE TABLE

PROJECT NUMBER:
EU12-0065

CHKD
TC

PART No:
SEE TABLE

Mass:(g)
SHEET SIZE
A4

DATE
03/02/12

SCALE
NTS

SHEET No.
1 OF 1

FORM No. 0145/16