



- 额定电流最高达 250A
Rated currents up to 250A
- 卓越的衰减性能, 150KHz - 30MHz
Exceptional attenuation performance from 150kHz to 30MHz
- 极大地改善安装可靠性和抗干扰性
Significantly improves the reliability and immunity of installations
- 可选不同的出线连接方式
Different output connections optional
- 安规认证: **CE**
Approval: **CE**

特点 Features

- 紧凑, 功能完善, 通用三相滤波器
Compact, robust, general purpose three phase power line filter
- 极佳的差模和共模衰减性能
High performance of differential mode and common mode performance

应用 Application

- 用于变速驱动、伺服器、逆变和变频系统应用
Three-phase variable speed motor drives, servo drives, inverters and converters
- 适用于工业设备自动化设备以及电梯、电源供应系统, UPS 等三相电源
Elevators, power supplies, UPS and further three-phase
- 常规三相电机驱动
The filters are ideal for most motor drive applications

技术参数 Technical Data

额定电压 Rated Voltage	380/440VAC
工作频率 Operation Frequency	50/60Hz
额定电流 Rated Current	3-250A
耐压测试 Hi-pot Test	1450VDC, 2 sec (线对线 Line to Line) 2250VDC 2sec (线对地 Line to Ground)
泄漏电流 Leakage Current	20mA Max.
气候类别 Climate Category	25/85/21 (-25°C to +85°C)
设计参考标准 Design corresponding to	UL 1283, CSA 22.2 No. 8 1986, IEC/EN 60939

电路原理图 Electrical Schematic

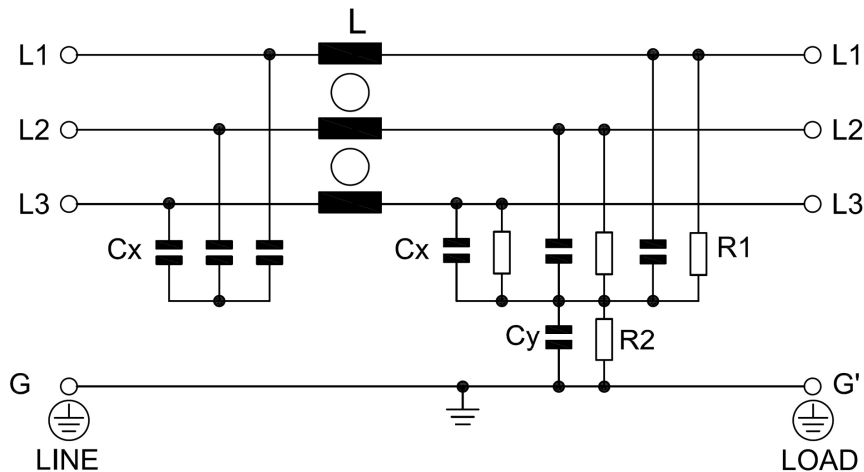

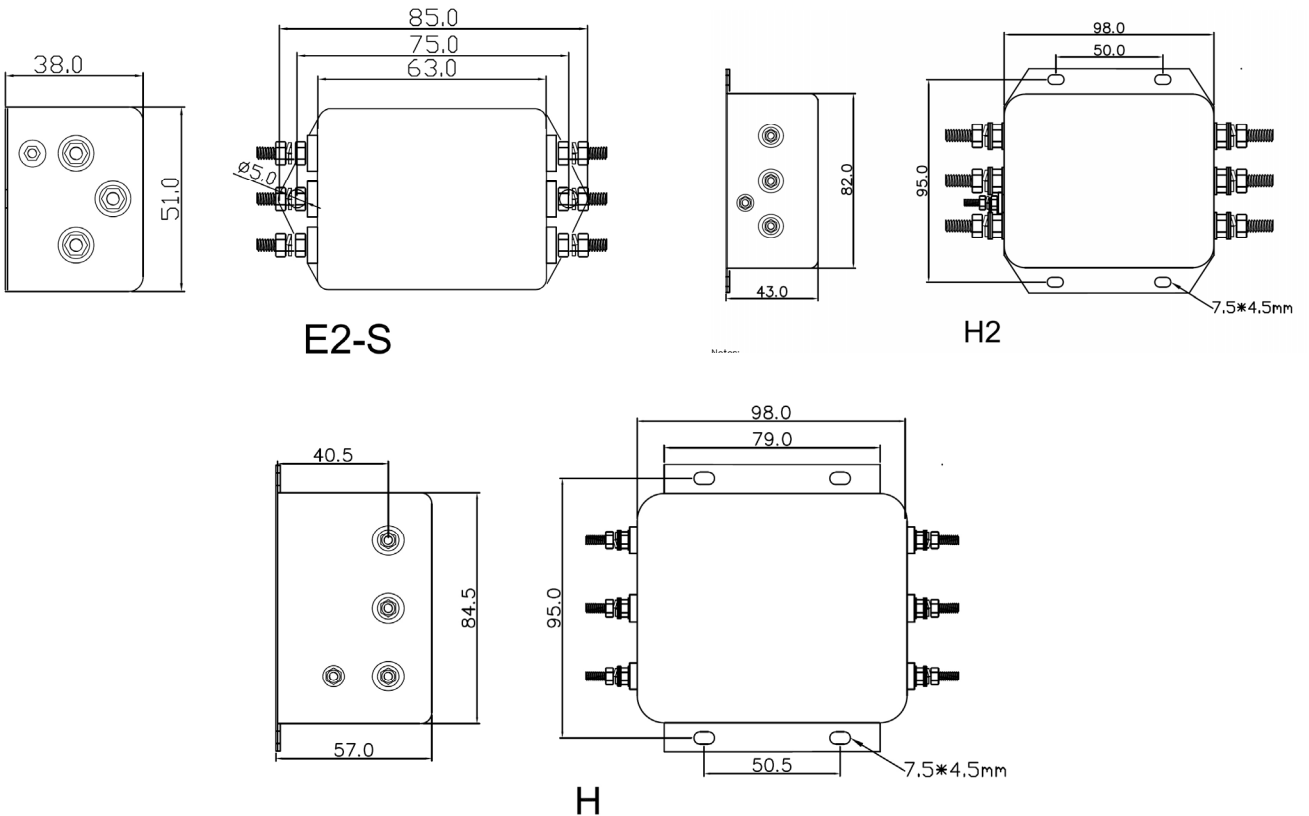


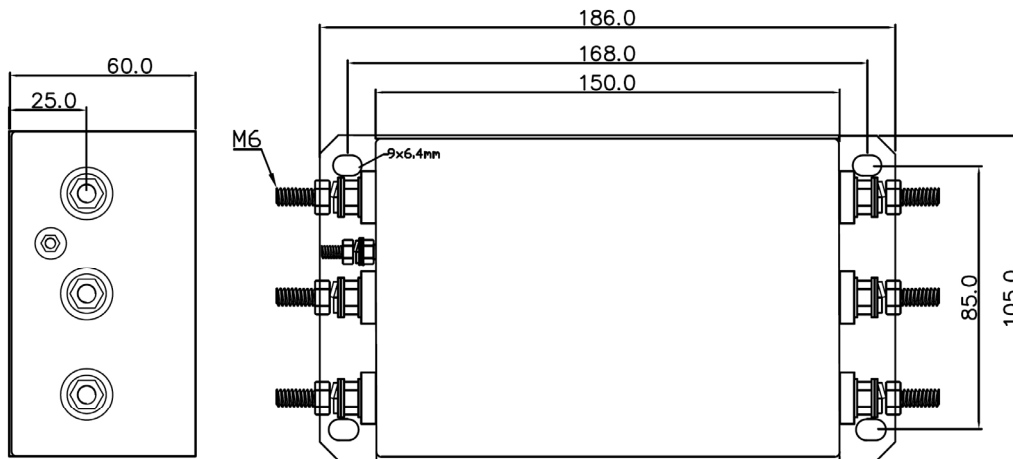
Fig 1

选型表 Type Selection Table

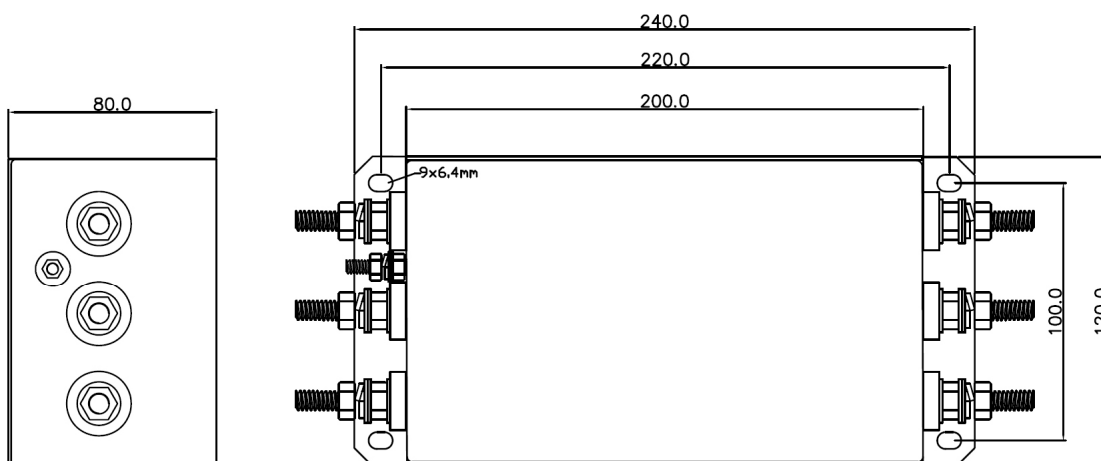
型号 Model	额定电流(A) Rated Current	泄漏电流(≤mA) Leakage Current	电路图 Circuit Diagram	外形尺寸 Dim. Fig.	出线端子方式 Output Connection
					Screw 
DF300-3A-01	3	20	Fig. 1	E2-S	M4
DF300-6A-01	6	20	Fig. 1	E2-S	M4
DF300-10A-01	10	20	Fig. 1	H2	M4
DF300-10A-02	10	20	Fig. 1	E2-S	M4
DF300-20A-01	20	20	Fig. 1	H2	M4
DF300-20A-02	20	20	Fig. 1	E2-S	M4
DF300-30A-01	30	20	Fig. 1	H2	M6
DF300-30A-02	30	20	Fig. 1	E2-S	M4
DF300-40A-01	40	20	Fig. 1	H	M6
DF300-50A-01	50	20	Fig. 1	H	M6
DF300-65A-01	65	20	Fig. 1	H	M6
DF300-80A-01	80	20	Fig. 1	N5	M8
DF300-100A-01	100	20	Fig. 1	N5	M8
DF300-120A-01	120	20	Fig. 1	N10	M8
DF300-150A-01	150	20	Fig. 1	N10	M10
DF300-180A-01	180	20	Fig. 1	N10	M10
DF300-200A-01	200	20	Fig. 1	N10	M10
DF300-250A-01	250	20	Fig. 1	N10	M10

外形尺寸 Outline Dimensions(mm)





N5



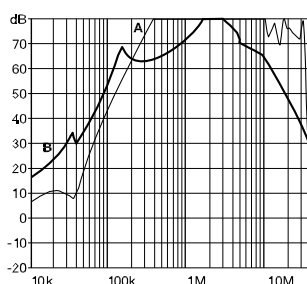
N10

插入损耗 Insertion Loss in dB

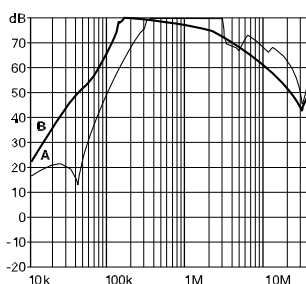
(50Ω/50Ω 环境下插入损耗 Insertion Loss in dB measured in a 50Ω/50Ω system, as IEC/CISPR No. 17)

A=Differential mode (差模) B=Common Mode(共模)

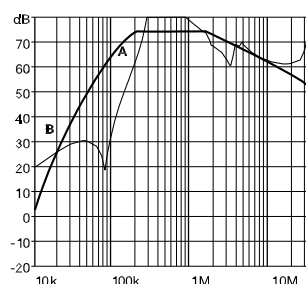
3 to 10A type



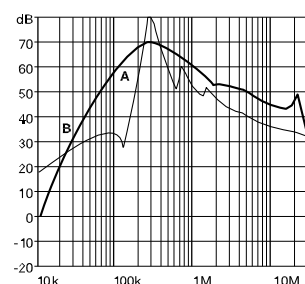
20 to 65A types



80 to 100A types



120 to 250A types



备注：以上规格为公司标准产品，可根据客户产品定制设计产品性能和尺寸外观。

如有 EMC 测试需求，请联系王经理 13382193729

Remark: Customized products are available according to special performance or dimensions requirements

If any EMC test requirement, please contact marketing@dephir.com

更多产品请登陆官方网站: <http://www.cndephir.com>

For more products please go to official website: <http://www.cndephir.com>