



深圳市鸿之森电子有限公司

SAMPLE APPROVAL SHEET

DESCRIPTIONS:

- 1.0x0.5x0.45mm SMD LED
- Emitting Color: Red
- Lens Color: Water Clear

CUSTOMER: _____

MASON P/N:HS-0402-UR

CUSTOMER P/N: _____

CUSTOMER APPROVED SIGNATURES

APPROVRD BY	CHECKED BY

广东省深圳市石岩街道德政路森海诺科创大厦 1811

电话:0755-27395536 传真:0755-27395136

<http://www.zgshzs.com>



深圳市鸿之森电子有限公司

PRELIMINARY SPEC

1.0x0.5X0.45mm SMD CHIP LED

PART NO: T0402UR

RED



ATTENTION

OBSERVE PRECAUTIONS

FOR HANDLING

ELECTROSTATIC DISCHARGE
SENSITIVE DEVICES

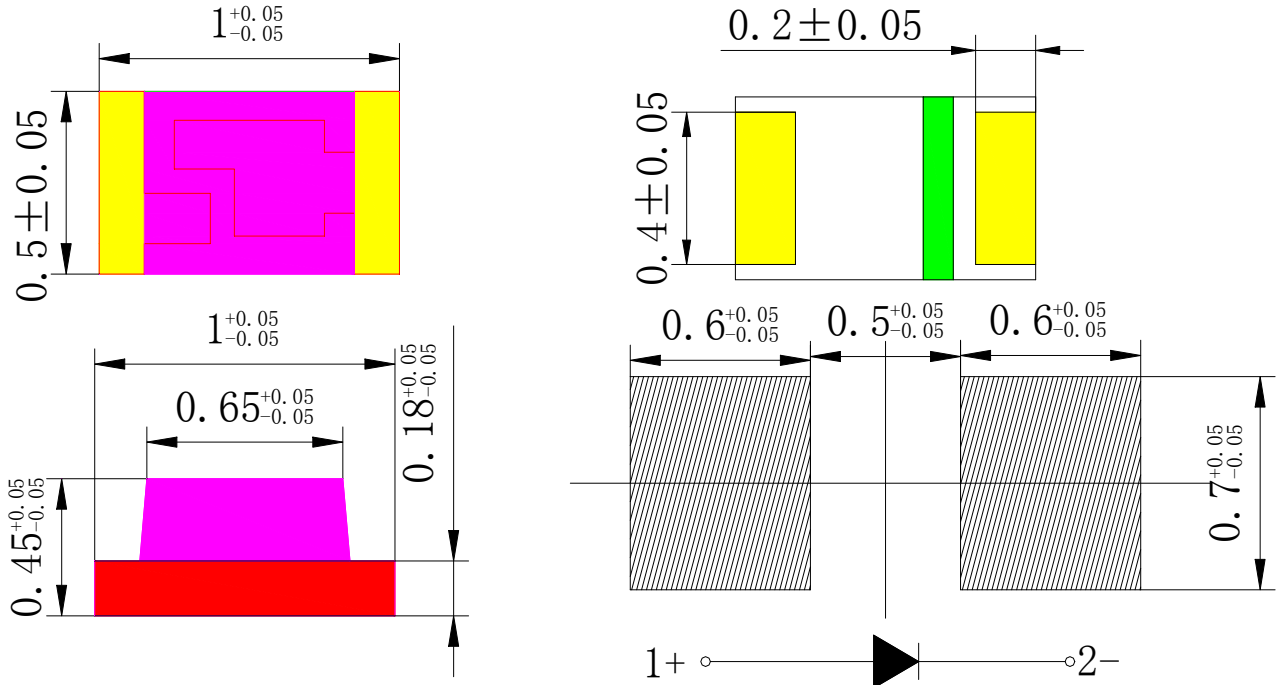
Features

- 1.0mmx0.5mm SMT LED, 0.45mm THICKNESS.
- SIDE VIEWING ANGLE.
- IDEAL FOR BACKLIGHT AND INDICATOR.
- PACKAGE : 3000PCS / REEL.
- RoHS COMPLIANT.

Applications

- Automotive: backlighting in dashboard and switch.
- Telecommunication: indicator and back-lighting in telephone and fax.
- Flat backlight for LCD switch and symbol.

◆ Package Dimensions



Notes:

1. All dimensions are in millimeters.
2. Tolerance is ± 0.1 mm unless otherwise noted.
3. Specifications are subject to change without notice.

广东省深圳市石岩街道德政路森海诺科创大厦 1811

电话:0755-27395536 传真:0755-27395136

<http://www.zgshzhs.com>



◆ Device Selection Guide

Part No.	Chip		Lens color
T0402UR	Material	Emitted color	Water Clear
	AlGaInP	RED	

◆ Absolute Maximum Ratings at TA=25°C

Parameter	Symbol	Value	Unit
Power Dissipation	PD	60	mW
Forward Current	IF	20	mA
Peak Forward Current*1	IFP	60	mA
Reverse Voltage	VR	5	V
Operating Temperature	Topr	-40°C To +85°C	
Storage Temperature	Tstg	-40°C To +85°C	

Notes:

*1: Pulse width≤0.1ms, Duty cycle≤1/10

◆ Electrical / Optical Characteristics at TA=25°C

Parameter	Symbol	Min	typ	Max	Unit	Test Conditions
Forward Voltage	VF	1.7	2.0	2.5	V	IF=20mA
Reverse Current	IR	—	—	10	μA	VR=5V
Peak Wavelength	λp	—	630	—	nm	IF=20mA
Dominant Wavelength	λd	620	—	625	nm	
Luminous Intensity	IV	72	—	160	mcd	IF=20mA
Viewing Angle	2θ1/2	—	120	—	Deg.	IF=20mA

Remarks:

If special sorting is required (e.g. binning based on forward voltage, luminous intensity, or Dominant Wave Length), the typical accuracy of the sorting process is as follows:

1. Dominant Wave Length: ±1nm

广东省深圳市石岩街道德政路森海诺科创大厦 1811

电话:0755-27395536 传真:0755-27395136

<http://www.zgshzhs.com>



2. Luminous Intensity: $\pm 15\%$

3. Forward Voltage: $\pm 0.1V$

◆ Typical Electrical/Optical Characteristics Curves

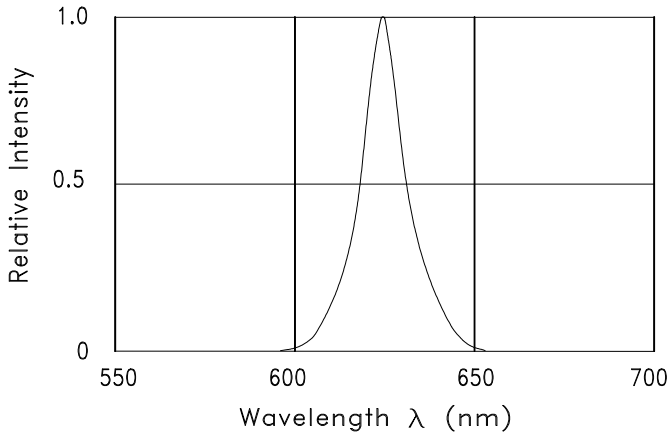


Fig.1 RELATIVE INTENSITY VS. WAVELENGTH

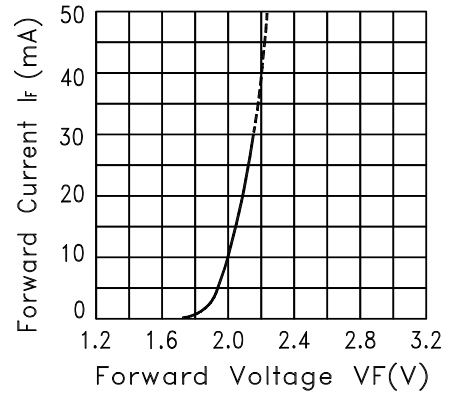


Fig.2 FORWARD CURRENT VS. FORWARD VOLTAGE

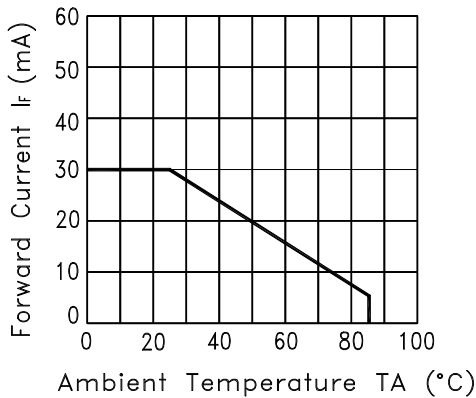


Fig.3 FORWARD CURRENT DERATING CURVE

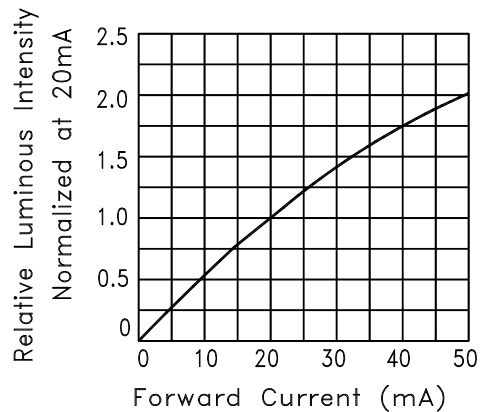


Fig.4 RELATIVE LUMINOUS INTENSITY VS. FORWARD CURRENT

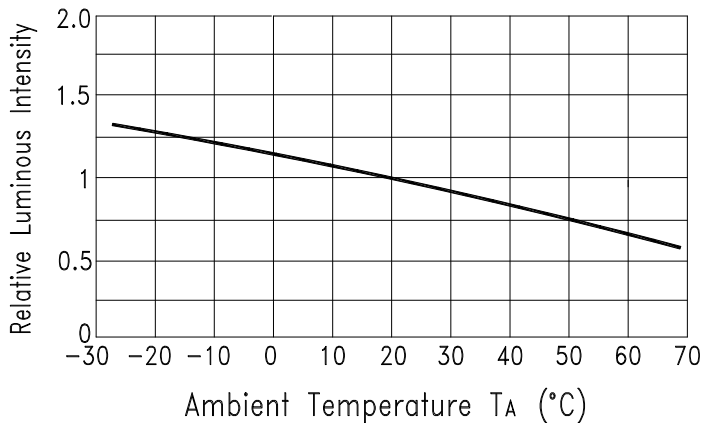


Fig.5 Luminous Intensity vs. Ambient Temperature

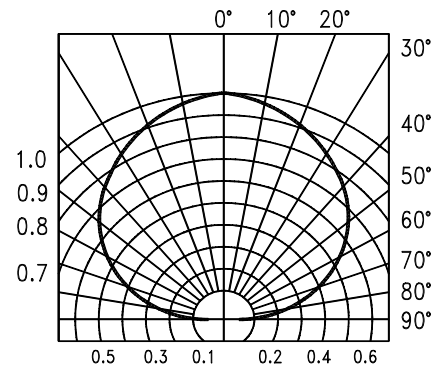


Fig.6 SPATIAL DISTRIBUTION

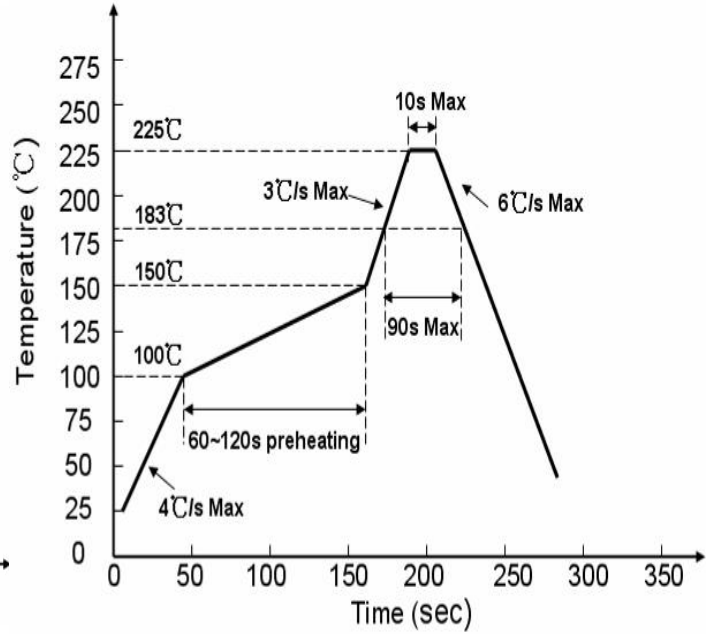
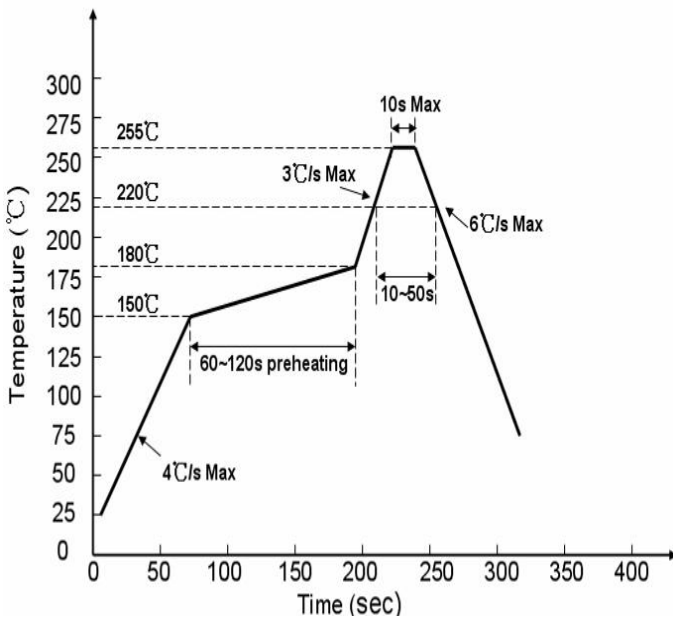
广东省深圳市石岩街道德政路森海诺科创大厦 1811

电话:0755-27395536 传真:0755-27395136

<http://www.zgszhzs.com>



◆ Soldering Profile

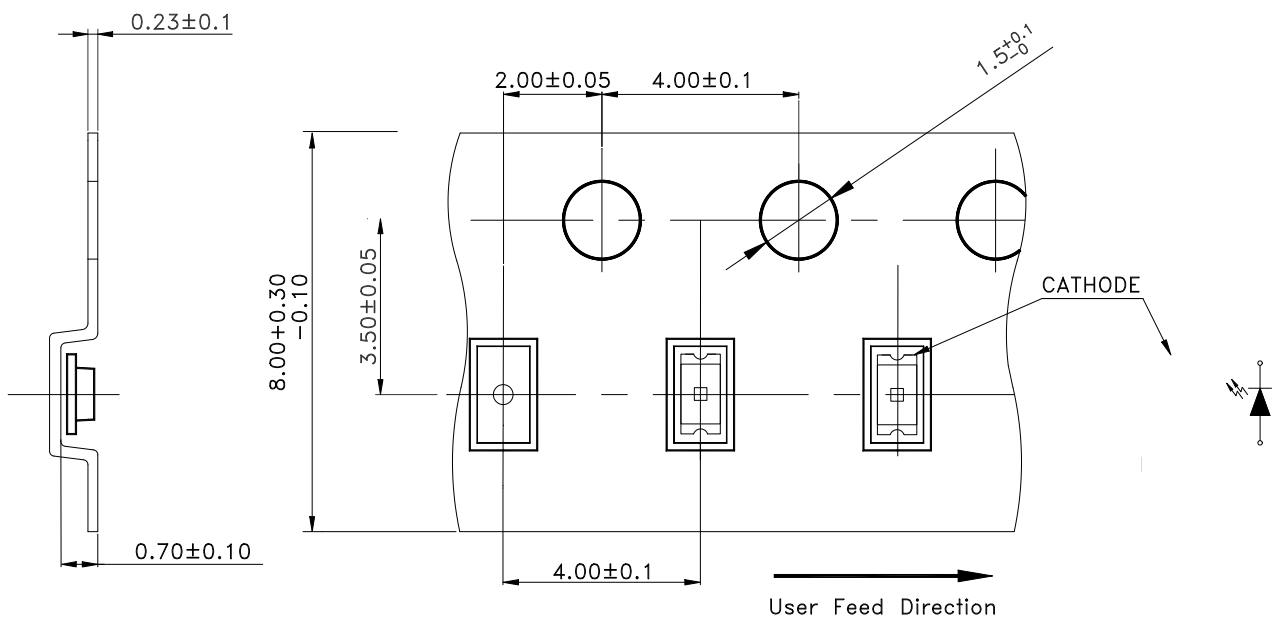


Free Lead process

Lead process

◆ Tape specifications

(Units:mm)



广东省深圳市石岩街道德政路森海诺科创大厦 1811

电话:0755-27395536 传真:0755-27395136

<http://www.zgszhzs.com>



◆ VF Rank

Rank		VF		Condition
		MIN	MAX	
a	a2	1.7	1.9	IF=20mA
	a3	1.9	2.1	
	a4	2.1	2.3	
	a5	2.3	2.5	

Tolerance:±0.05V

◆ VF Rank

Rank		IV		Condition
		MIN	MAX	
IV	m2	74	89	IF=20mA
	n1	89	100	
	n2	100	130	
	o1	130	160	

Tolerance:±15%

◆ WLD Rank

Rank		λd		Condition
		MIN	MAX	
J	J1	615	620	IF=20mA
	J2	620	625	

Tolerance:±1nm



◆ CAUTIONS:

1.Storage

- In order to avoid the absorption of moisture, it is recommended to store in the dry box (or desiccators) with a desiccant. Otherwise, to store them in the following environment is recommended. Temperature: 5°C~30°C Humidity: 60%HR max.
- Attention after opened
However LED is corresponded SMD, when LED be soldered dip, interfacial separation may affect The light transmission efficiency, causing the light intensity to drop. Attention in followed. a. After opened and mounted, the soldering shall be quickly. b. Keeping of a fraction Temperature: 5°C~40°C Humidity: less than 30%
- In case or more than 1 week passed after opening or change color of indicator on desiccant components shall be dried 10-12hours at 60°C±3°C.
- In case of supposed the components is humid, shall not be dried dip-solder just before. 100Hours at 80°C±3°C or 12Hours at 100°C±3°C.

2.ESD (Electrostatic Discharge)

Static Electricity or power surge will damage the LED.

The following procedures may decrease the possibility of ESD damage.

- All production machinery and test instruments must be electrically grounded.
- Use a conductive wrist band or anti-electrostatic glove when handling these LEDs.
- Maintain a humidity level of 50% or higher in production areas.
- Use anti-static packaging for transport and storage.