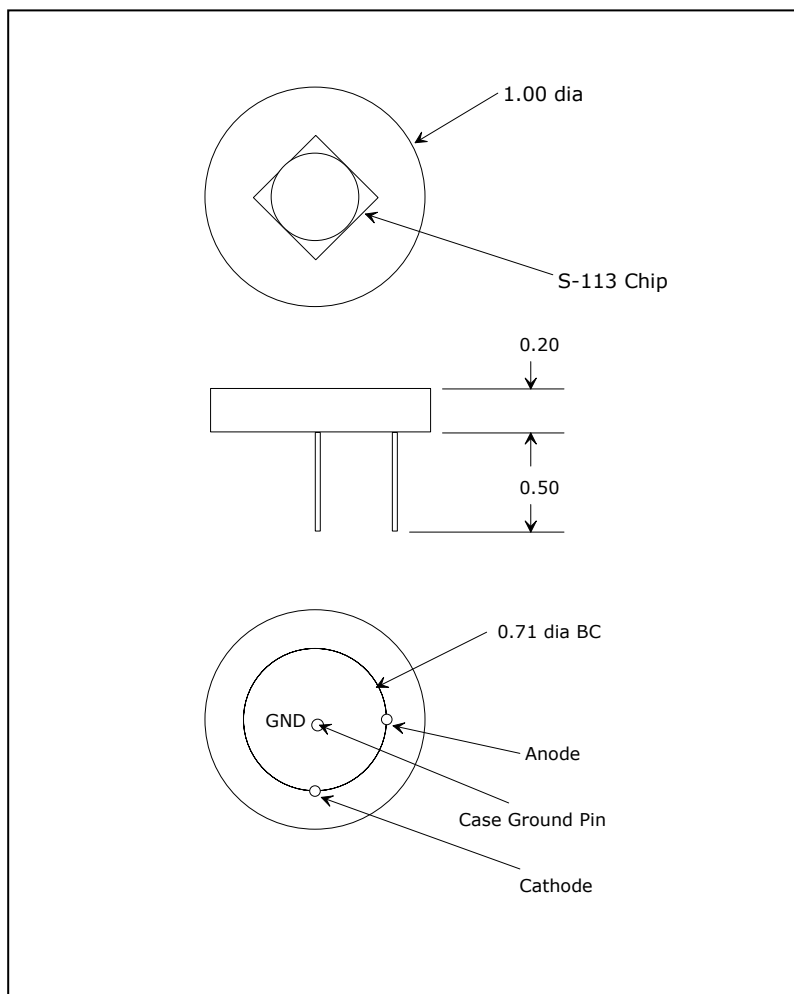


S - SERIES PHOTODIODES



Part Numbers:

S - 113

Application Note

ELECTRO OPTICAL SYSTEMS

offers room temperature photodiode detectors. The units have state-of-the-art sensitivity and may be supported by accessories such as optical filters (longpass and bandpass), integral preamplifiers, and infrared source assemblies. These units find applications in industrial control systems, gas analyzers, thermal sensors, and general infrared instrumentation.

SPECIFICATIONS

Part Number	S - 113
Active Area (mm)	11.3 dia
Operating Wavelength (nm)	300 - 1100
Shunt Resistance (MΩ)	200
Shunt Capacitance (pF)	9000
Responsivity (A/W)	0.55 @ 850 nm
NEP (W/Hz ^{1/2})	< 1.5 x 10⁻¹⁴

RoHS Compliant