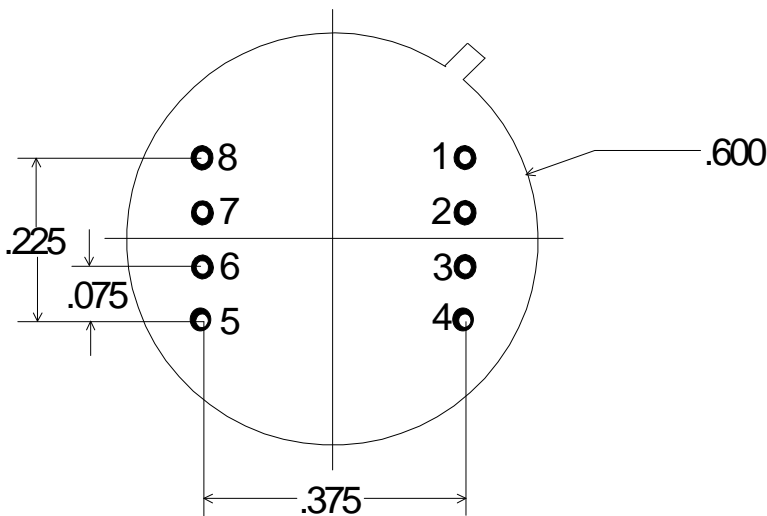
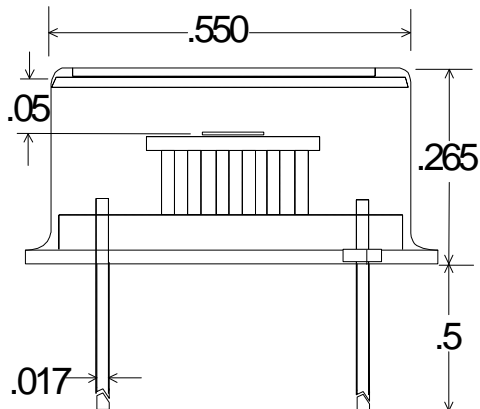


TO - STYLE PHOTODIODE / AMPLIFIER



UV SILICON - E8 - SERIES

PIN OUT

- 1 = Offset Adj
- 2 = Inv In / Photodiode Cathode
- 3 = N-Inv In / Photodiode Anode
- 4 = -V
- 5 = Gain Select
- 6 = Output
- 7 = +V
- 8 = Offset Adj

Note: Dimensions in Inches

OPERATING INSTRUCTIONS:

This unit is a high performance photodiode/transimpedance amplifier unit. The output voltage is equal to the optical signal power multiplied by the photodiode responsivity in A/W and the feedback resistance in ohms. The unit is DC-coupled and should be shielded from stray or room lights to avoid saturation of the amplifier.

SPECIFICATIONS

| Part Number | UVS-010-E8 | UVS-025-E8 | UVS-050-E8 | UVS-058-E8 |
|---|------------------------------------|-----------------------------------|-----------------------------------|-----------------------------------|
| Active Area | 1mm dia | 2.5mm dia | 5mm dia | 5.8mm x 5.8mm |
| + Operating Wavelength | 200 - 1000 nm | | | |
| Photodiode Shunt Resistance (MΩ) | 1000. | 250. | 100. | 100. |
| Photodiode Shunt Capacitance (pF) | 50. typ | 250. typ | 400. typ | 1000. typ |
| * Output Responsivity @ 650nm, HI/LO (V/W) | 10 ¹⁰ / 10 ⁹ | 10 ⁹ / 10 ⁸ | 10 ⁹ / 10 ⁸ | 10 ⁹ / 10 ⁸ |
| Bandwidth (Hz) | DC - 100 | | | |
| NEP (100Hz, 1300nm) (W/Hz ^{1/2}) | < 1.0 x 10 ⁻¹⁴ | < 1.2 x 10 ⁻¹⁴ | < 1.5 x 10 ⁻¹⁴ | < 1.2 x 10 ⁻¹⁴ |
| * Note: Other gain values can be specified | | | | |